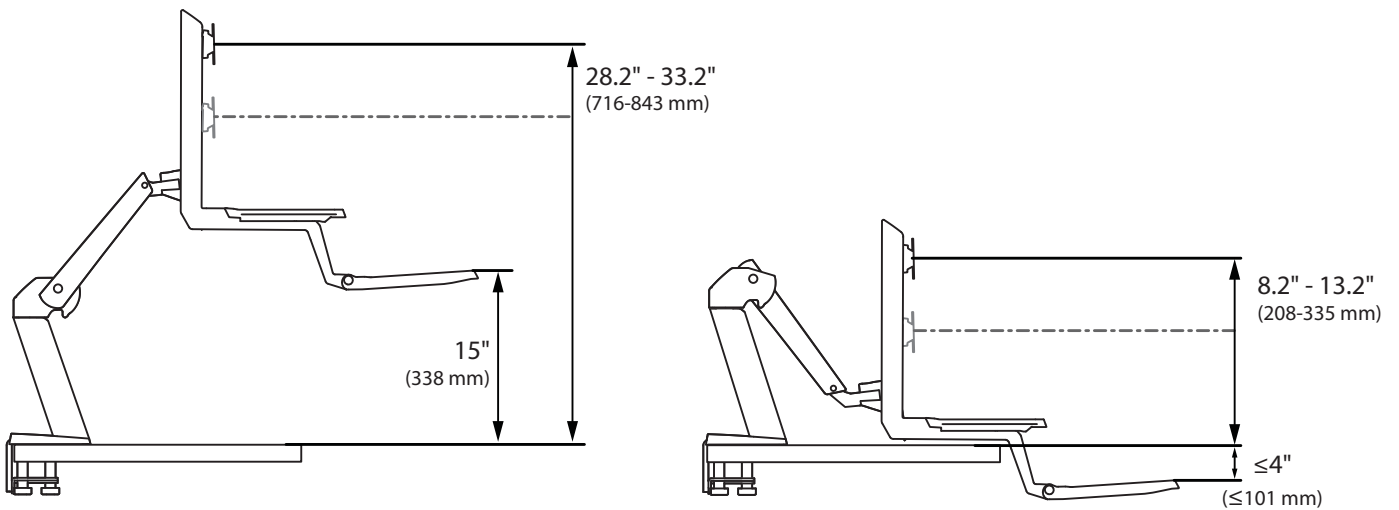
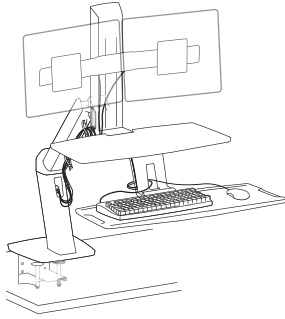
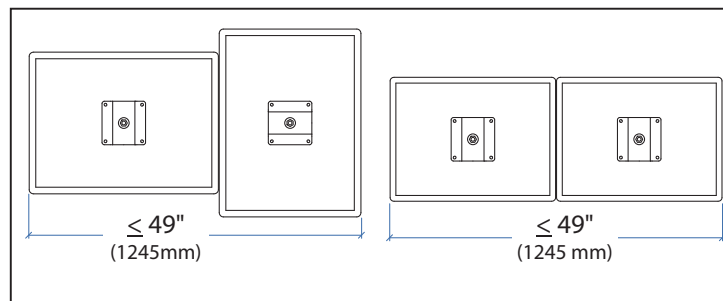
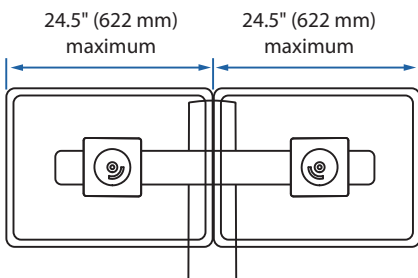
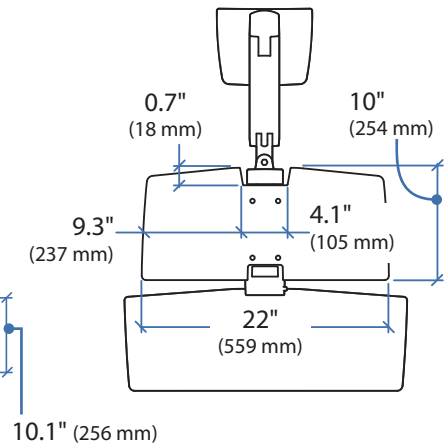
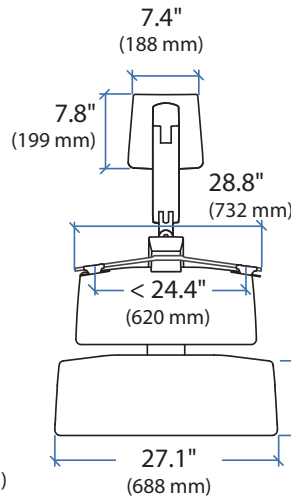
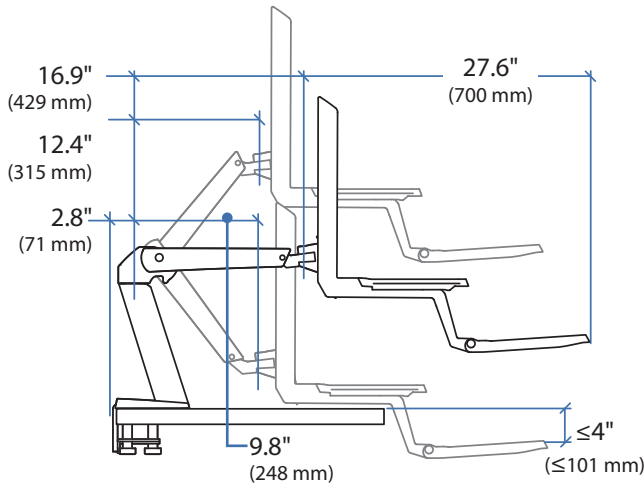
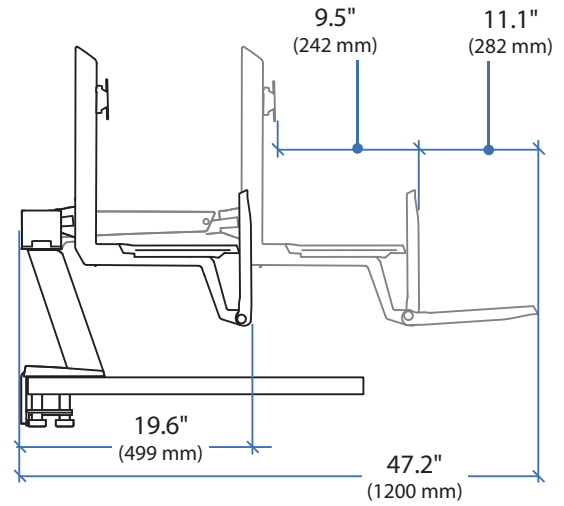
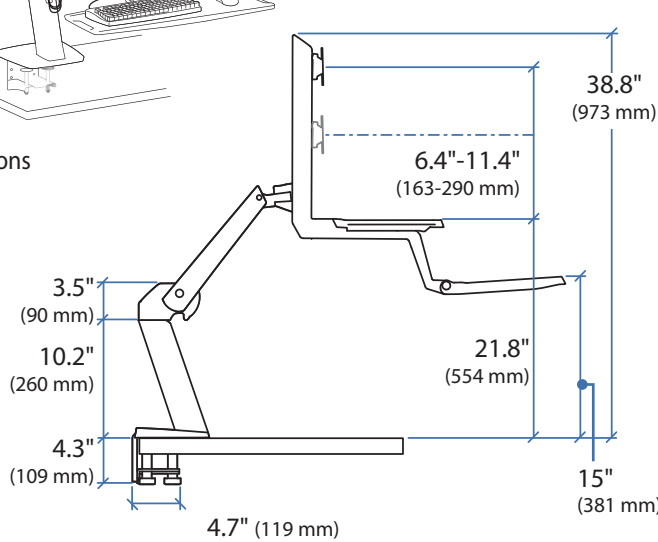


Dimensions

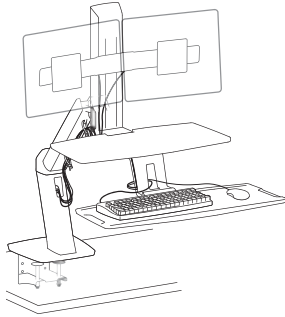




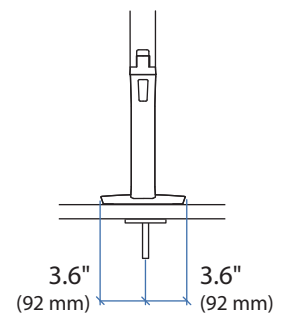
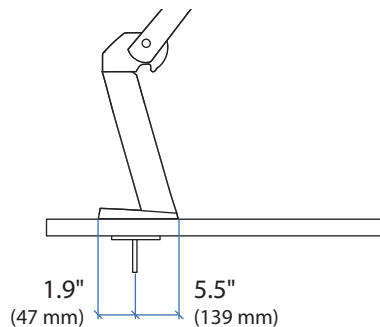
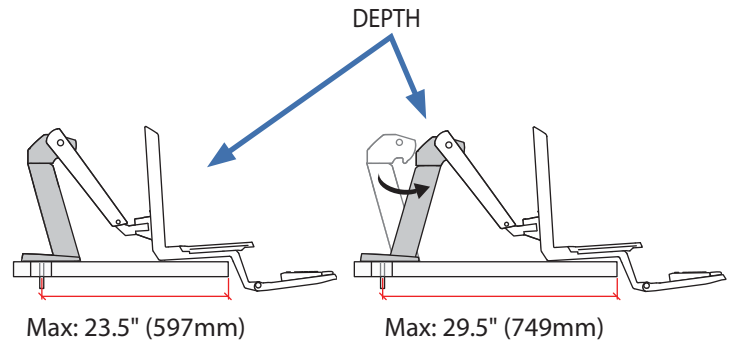
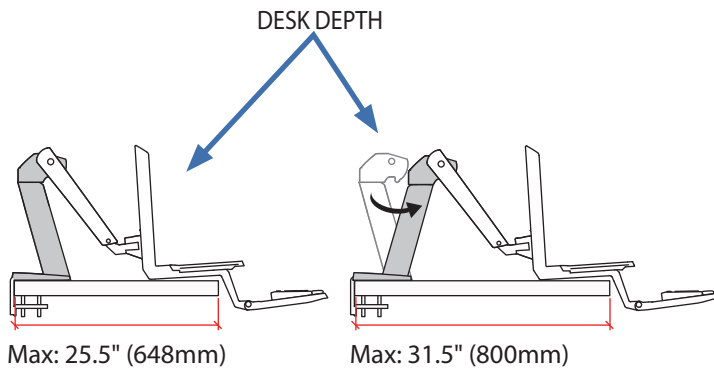
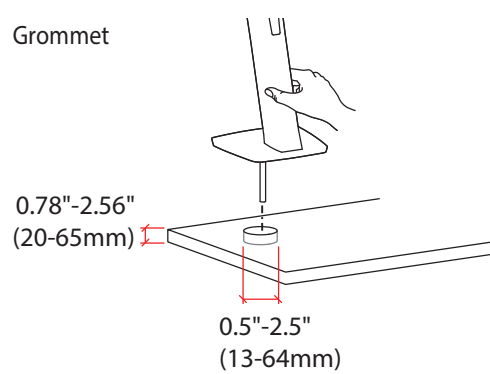
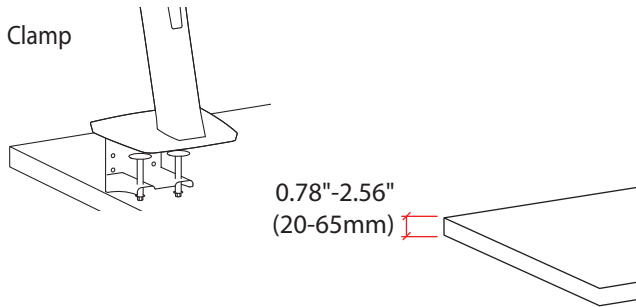
Dimensions

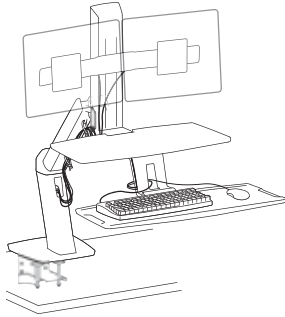


*Attention: Listed allowable widths assume monitor thickness is 2" (51 mm). If monitor thickness is less, allowable width may be more. Contact Ergotron for details.

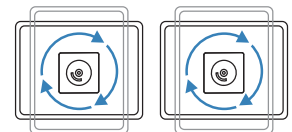
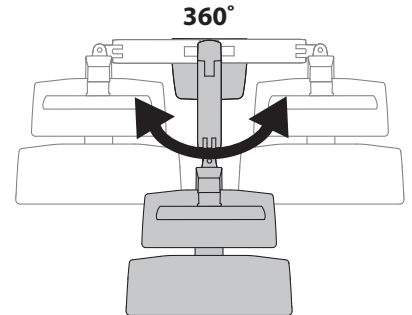
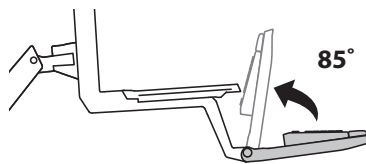
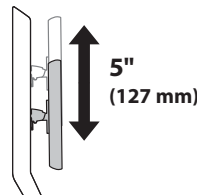
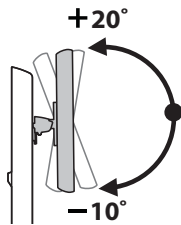
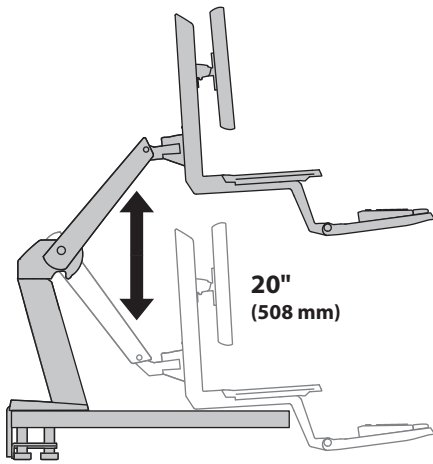


Desk Dimensions:





Range of Motion



Portrait/Landscape rotation stop screw can be installed for 0° rotation.

Weight Capacity:

