

NOTE:  
22.5 MAX RAIL TO RAIL  
12.5 MIN RAIL TO RAIL

UNLESS OTHERWISE SPECIFIED:  
DIMENSIONS ARE IN INCHES  
TOLERANCES:  
FRACTIONAL: ±1/8  
ANGULAR: BEND ±1 DEGREE  
TWO PLACE DECIMAL ±.03  
THREE PLACE DECIMAL ±.01

<b>WEB PRINT</b>	
NEXT ASSY	USED ON
APPLICATION	
DO NOT SCALE DRAWING	

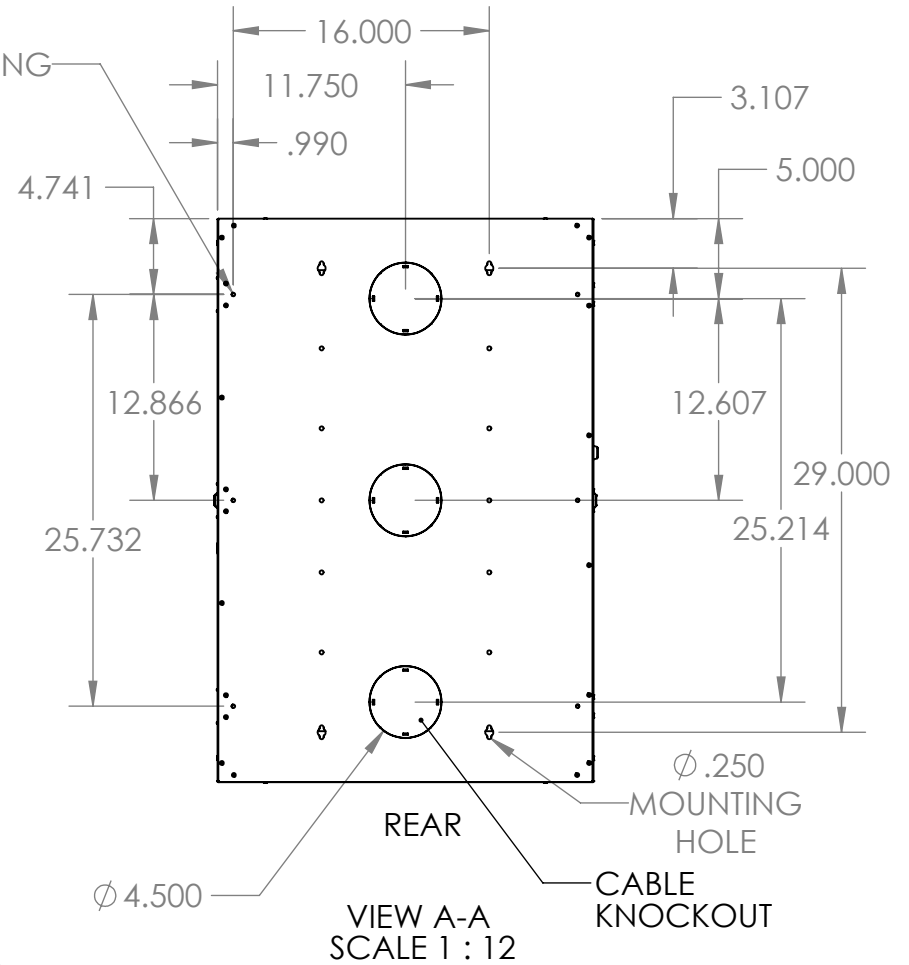
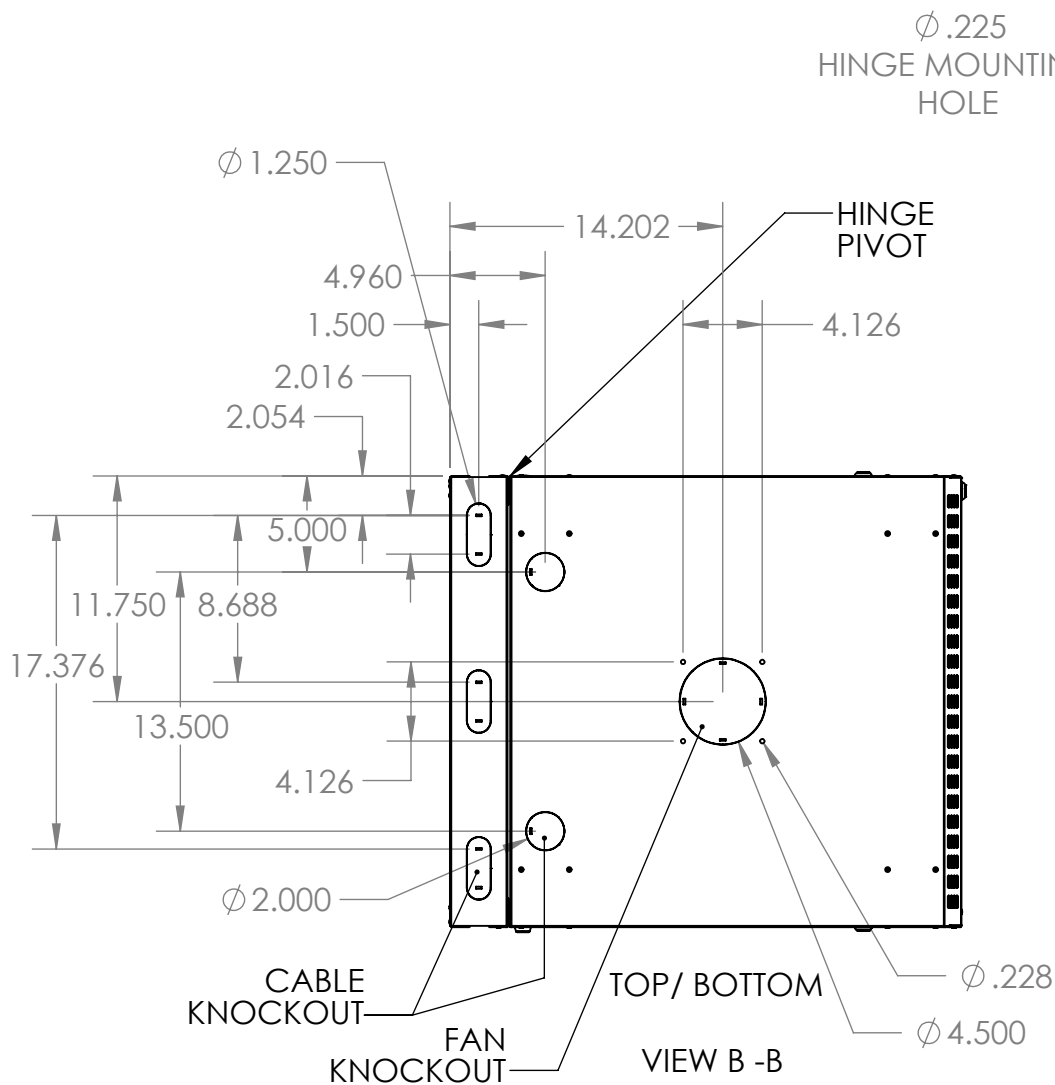
**PROPRIETARY AND CONFIDENTIAL**  
THE INFORMATION CONTAINED IN THIS DRAWING IS THE SOLE PROPERTY OF KENDALL HOWARD. ANY REPRODUCTION IN PART OR AS A WHOLE WITHOUT THE WRITTEN PERMISSION OF KENDALL HOWARD IS STRICTLY PROHIBITED.

NAME	DATE
DRAWN	
CHECKED	
ENG APPR.	
MFG APPR.	
Q.A.	
COMMENTS:	

**KENDALL HOWARD**

TITLE:  
**18U LINIER WM SWINGOUT CABINET- PERFORATED DOOR**

SIZE	DWG. NO.	REV
<b>A</b>	<b>3132-3-001-18 WP</b>	
SCALE: 1:10	WEIGHT: 72.50	SHEET 1 OF 2



**PROPRIETARY AND CONFIDENTIAL**  
 THE INFORMATION CONTAINED IN THIS DRAWING IS THE SOLE PROPERTY OF KENDALL HOWARD. ANY REPRODUCTION IN PART OR AS A WHOLE WITHOUT THE WRITTEN PERMISSION OF KENDALL HOWARD IS STRICTLY PROHIBITED.

<b>WEB PRINT</b>	
NEXT ASSY	USED ON
APPLICATION	

UNLESS OTHERWISE SPECIFIED: DIMENSIONS ARE IN INCHES TOLERANCES: FRACTIONAL ± 1/8 ANGULAR: BEND ± 1 DEGREE TWO PLACE DECIMAL ± .03 THREE PLACE DECIMAL ± .01	
Surface Area	
MATERIAL	
FINISH	
DO NOT SCALE DRAWING	

DRAWN	NAME	DATE
CHECKED		
ENG APPR.		
MFG APPR.		
Q.A.		
COMMENTS:		

**KENDALL HOWARD**

TITLE:  
**18U LINIER WM SWINGOUT CABINET- PERFORATED DOOR**

SIZE	DWG. NO.	REV
<b>A</b>	<b>3132-3-001-18 WP</b>	

SCALE: 1:10 WEIGHT: 72.50 SHEET 2 OF 2