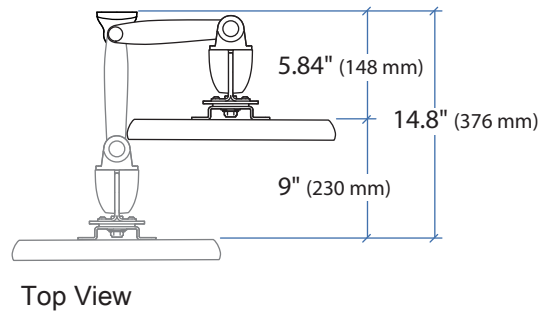
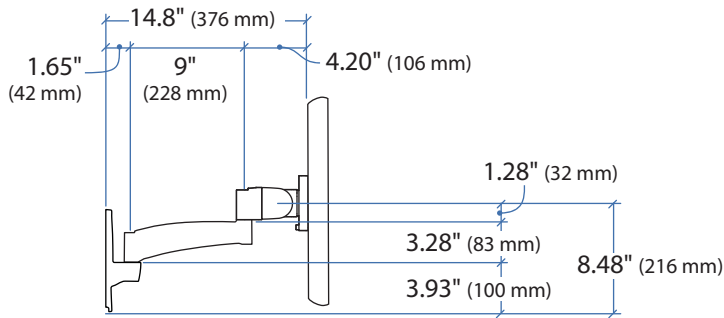
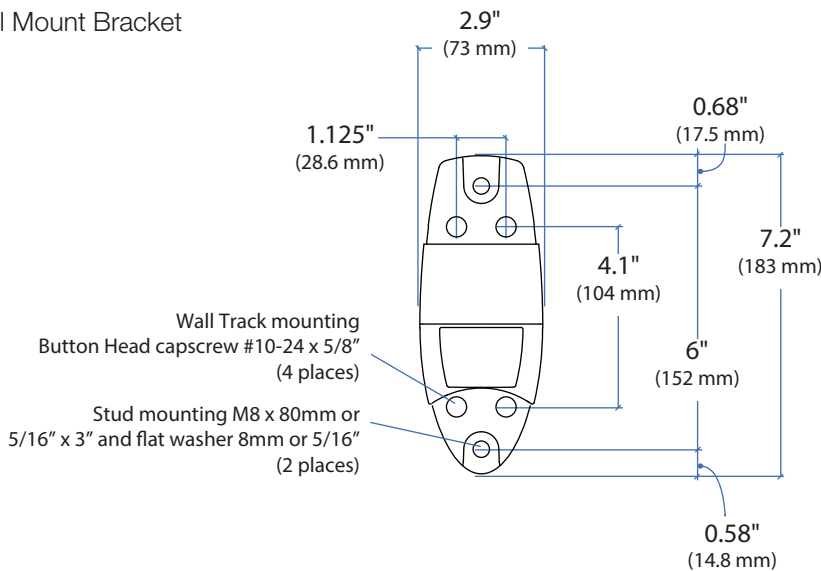


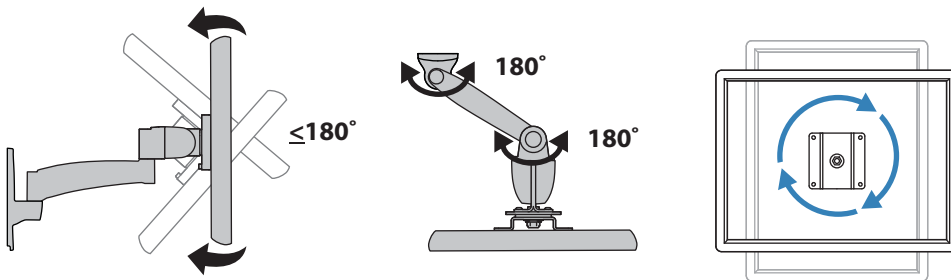
200 Series Wall Mount Arm



Wall Mount Bracket



Range of Motion



Maximum Weight Capacity

