

ergotron[®]

moving you forward

LX **Wall Monitor Arm**

- Increase viewing comfort—help reduce eye, back and neck strain
- Upgrade LCD monitors and TVs with improved ergonomic adjustment
- Designed with our patented Constant Force™ lift-and-pivot motion technology, displays are easily positioned with just a light touch
- Cable management feature routes cables under the arm, out of the way
- 13" (33 cm) height range meets the ergonomic needs of more than nine out of ten adults
- Compact design frees up space. Arm folds back over the base into a compact retracted position so it's perfect for space-constrained areas
- Passes Ergotron's 10,000-cycle motion test
- Includes 10-year warranty



UNPARALLELED RANGE OF MOTION FOR ERGONOMIC COMFORT AND ENHANCED PRODUCTIVITY!

The LX Wall Monitor Arm is the perfect accessory to add flexibility and superior ergonomics to your monitor or TV. Sleek and streamlined, it frees up space and allows you to easily position your display for greater productivity.



Other features include:

- Excellent performance; affordable ergonomics
- Arm extends LCD up to 25" (64 cm) or 34" (86 cm) when a second extension is used. Push it back out of the way when not in use
- Can be configured to hold a laptop instead of a monitor; also order a Notebook Tray (50-193-200)
- Sit-stand models available

LX Wall Monitor Arm

- Position your display for maximum ergonomic comfort to relieve eye, neck and back strain
- Rotate screen for portrait viewing of photos and pages—eliminate scrolling
- Easy-to-use, simple installation and effortless operation
- Adjustment range of the LX Arm allows monitor to be lowered into a position that is comfortable for people wearing bifocals or using a tablet PC
- Attaches directly to sturdy vertical surfaces. Where applicable, install to wood stud. (Fasteners for direct attachment to wood studs or concrete surfaces are included.)
- Base includes theft-deterrent anchor holes for cable locks
- LX Wall Monitor Arm can be used without its extension or with a second 9" extension
- Attach a laptop to an LX Wall Mount Arm with a Notebook Tray accessory (50-193-200)



Part # (color)	45-243-216 (white) 45-243-026 (polished aluminum) 45-243-224 (matte black)
Includes	Arm, extension, wall-mount base; attach directly to sturdy vertical surface
Typical LCD Size	≤ 34"

LCD SIZE IS APPROXIMATION. DIMENSION IS DIAGONAL MEASUREMENT OF SCREEN. LCD SIZE MAY BE EXCEEDED AS LONG AS SCREEN WEIGHT DOES NOT EXCEED MAXIMUM WEIGHT CAPACITY OF THE MOUNT.

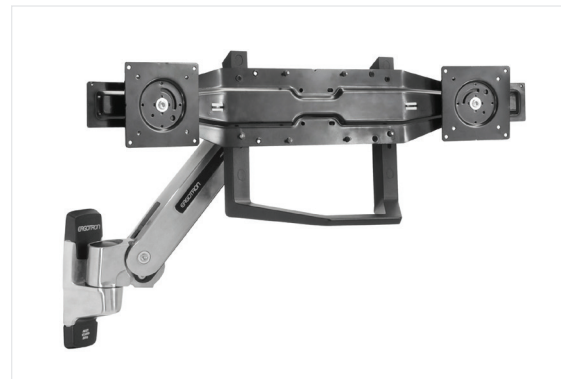
Weight Capacity	7–25 lbs (3.2–11.3 kg)
Lift	13" (33 cm)
Tilt	75° ±70° / ±5°
Pan	360°
Rotation	360°
VESA	MIS-D
Depth	4" (10 cm)
Extension	≤ 25" (64 cm)
Product Weight	5.4 lbs (2.5 kg)
Shipping Weight	6.2 lbs (2.8 kg)
Shipping Dimensions	17.6"H x 7.5"W x 5.7"D (45 x 19 x 14 cm)
Warranty	10 years



LX EXTENSION INCREASES REACH BY 9" (23 CM)
WHITE (45-289-216)
POLISHED ALUMINUM (45-289-026)
MATTE BLACK (45-289-224)



RECOMMENDED: ATTACH WALL MOUNT ARM TO AN ERGOTRON WALL TRACK USING BRACKET (97-091)



DUAL MONITOR & HANDLE KIT (97-783) IS THE PERFECT DUAL-MOUNTING SOLUTION FOR MONITORS 17" TO 24"; THE HANDLE MAKES IT EASY TO REPOSITION SCREENS

Download additional resources at ergotron.com.

For more information:

USA & Canada: 800.888.8458 / +1.651.681.7600 / insidesales@ergotron.com

EMEA: +31.33.45.45.600 / info.eu@ergotron.com

APAC: apaccustomerservice@ergotron.com

LATAM: +1.800.681.1820 / info.latam@ergotron.com

Custom: custom@ergotron.com

© Ergotron, Inc. 04.17.2023

Literature made in the U.S.A.

Content subject to change.

Ergotron devices are not intended to cure, treat, mitigate or prevent any disease.

Patent information available at www.ergotron.com/patents.

