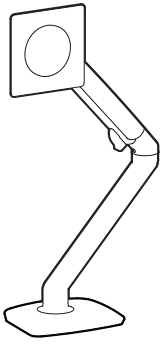
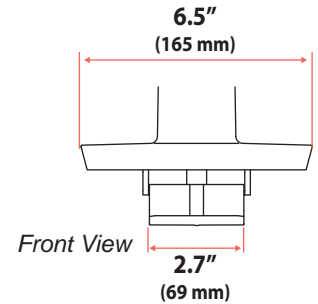
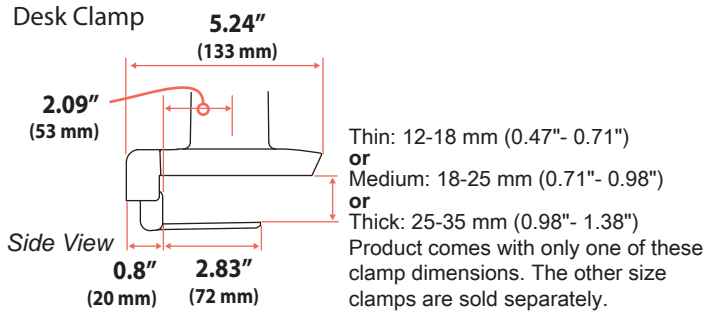


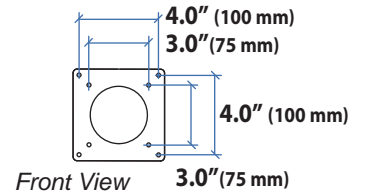
MXV Desk Monitor Arm



Dimensions

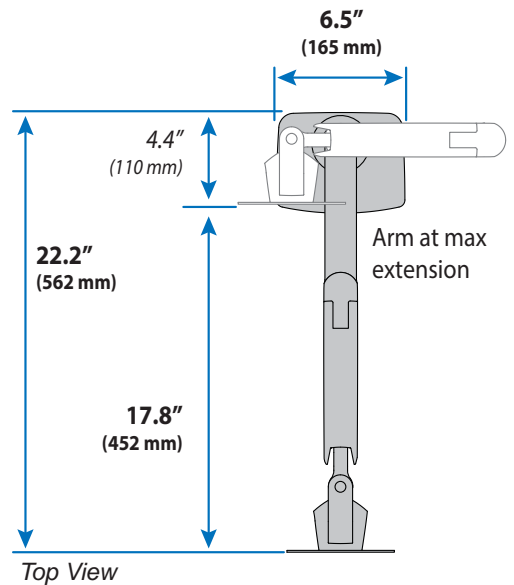
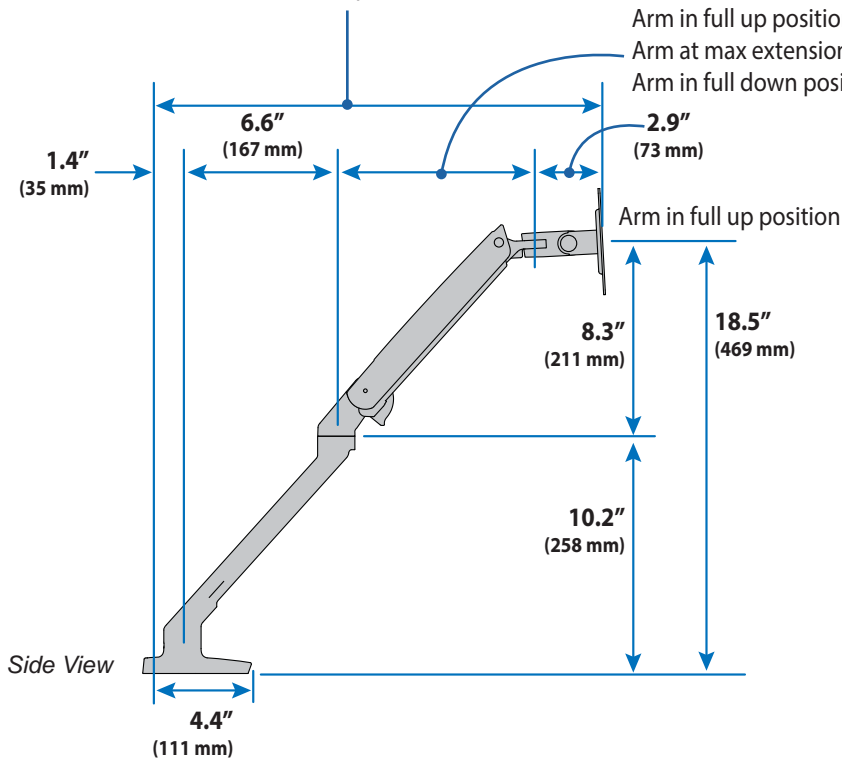


Monitor Interface Bracket

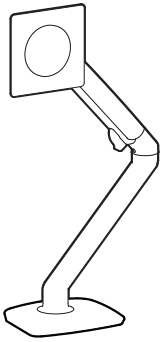


Arm in full up position: **19.1" (485 mm)**
 Arm at max extension: **22.2" (562 mm)**
 Arm in full down position: **19.6" (498 mm)**

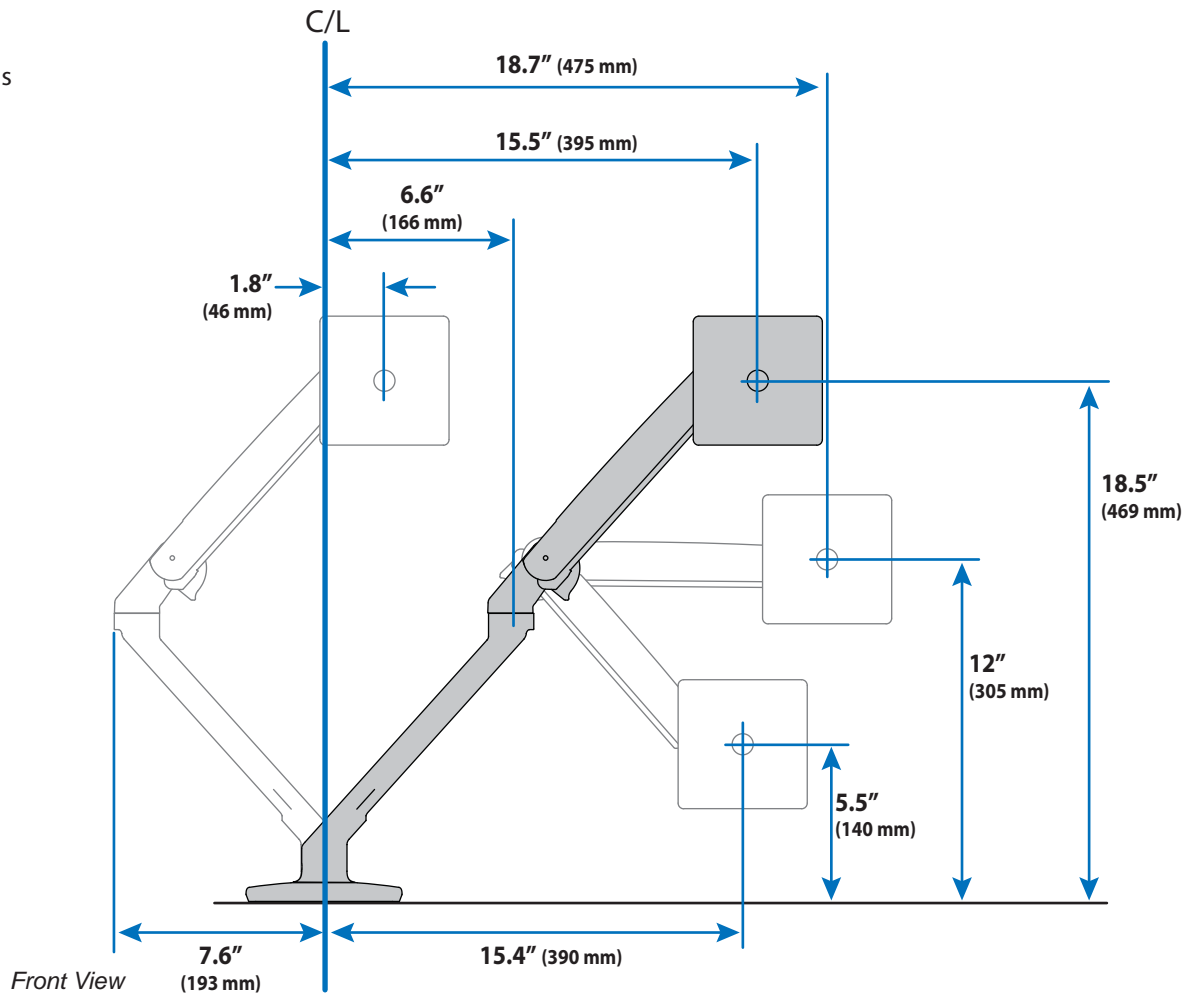
Arm in full up position: **8.2" (210 mm)**
 Arm at max extension: **11.3" (287 mm)**
 Arm in full down position: **8.7" (223 mm)**



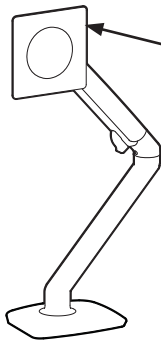
MXV Desk Monitor Arm



Dimensions



MXV Desk Monitor Arm



Weight Capacity

7 - 20 lbs (3.2 - 9.1 kg)

Monitor depth greater than 2.5" (64 mm) may diminish capacity.
Call Ergotron for more information.

Range of Motion

