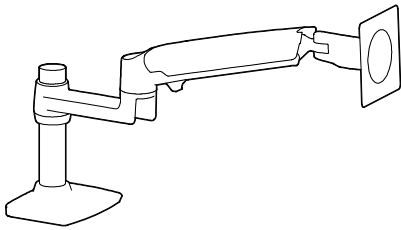
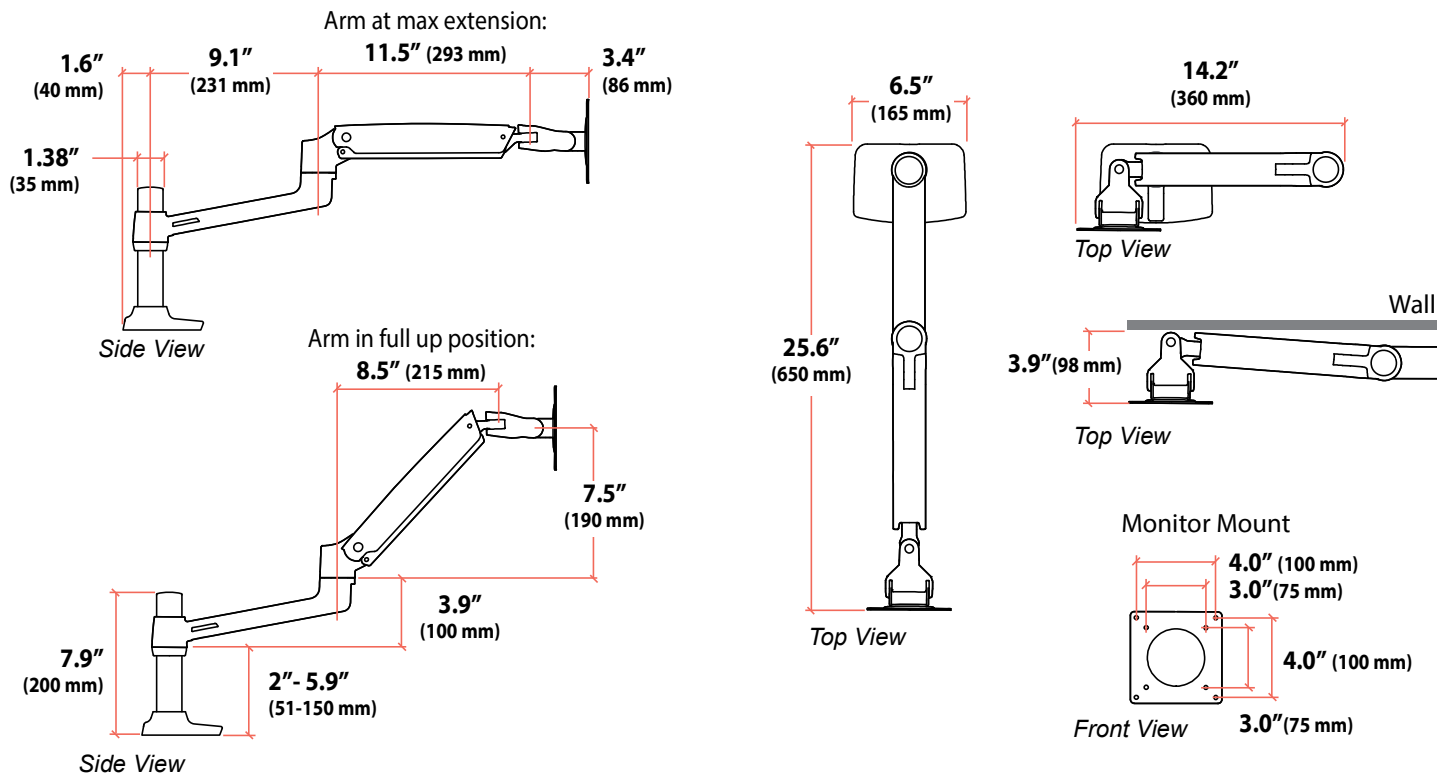


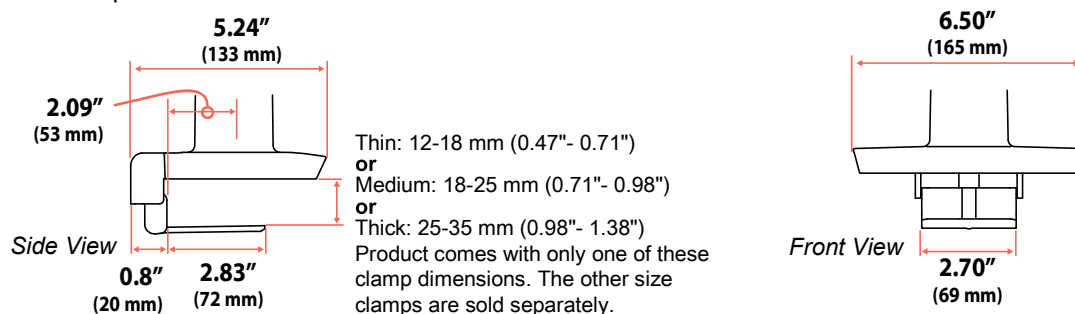
LX Desk Mount LCD Arm



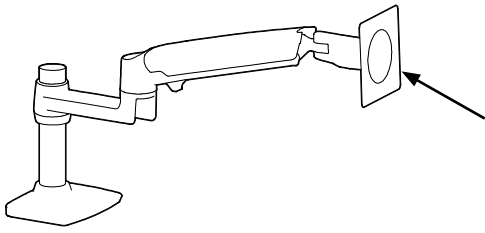
Dimensions



Desk Clamp

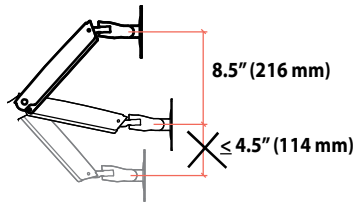


LX Desk Mount LCD Arm



Weight Capacity per Monitor
 7 - 25 lbs (3.2 - 11.3 kg)*
 Monitor depth greater than 2.5" (64 mm) may diminish capacity.
 Call Ergotron for more information.

*** The lower most range of motion for vertical lift is decreased up to 4.5" (114 mm) when arm is adjusted to hold over 20lbs (9 kgs).**



Range of Motion

