

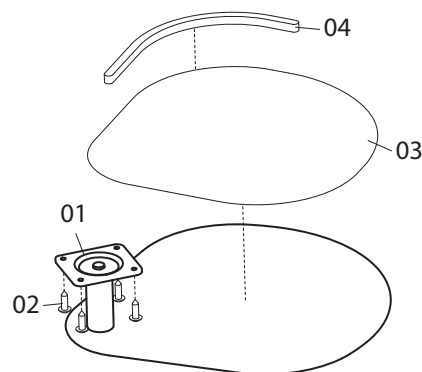
ergotron®

Mouse Shelf (Swing Out)

Before beginning installation of your Mouse Shelf (*Swing Out*), please take a moment to review the parts listed to verify that your shipment is complete.

This product is designed to be installed on just about any Anthro cart or table. It may be helpful to review the assembly instructions of all Anthro products you purchased and are planning to include in this installation.

SAVE THESE INSTRUCTIONS!



Component list for part # 687xx.

01– Mouse Shelf (<i>Swing Out</i>)	Qty. 1	575-5002-00
02– 1/2" Wood Screws	Qty. 4	325-5008-00
03– Mouse Pad	Qty. 1	575-5001-03
04– Mouse Rail	Qty. 1	575-5001-02

A 5/32" Hex Driver, electric drill and 1/8" drill bit (*not included*) will be needed for this assembly procedure.

Step 1

Your Mouse Shelf (*Swing Out*) may be mounted to just about any AnthroCart Shelf or Worksurface.

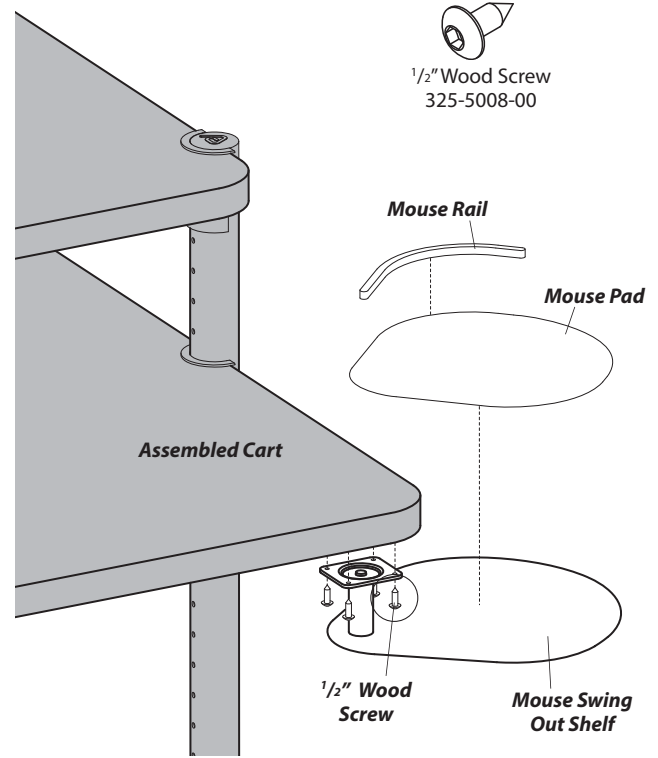
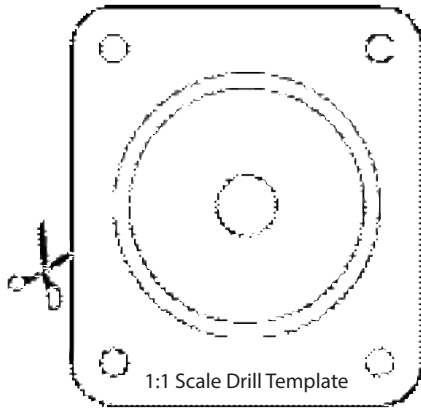
Hold the Shelf in your desired mounting location or use the supplied drill template (*see below*).

Mark the four hole positions. Carefully drill all holes using a $\frac{1}{8}$ " drill bit (approximately $\frac{1}{2}$ " deep). **TIP:** Place a small amount of masking tape at $\frac{1}{2}$ " on your drill bit.

Secure the Mouse Shelf to your Worksurface using the four $\frac{1}{2}$ " Wood Screws.

Finally, place the Mouse Rail and Mouse Pad onto the Mouse Shelf as best suits your personal preference.

Congratulations! Your assembly is complete.



ergotron®

For the latest User Installation Guide please visit: www.ergotron.com

For Warranty visit: www.ergotron.com/warranty

For Service visit: www.ergotron.com

For local customer care phone numbers visit: <http://contact.ergotron.com>

www.ergotron.com | USA: 1-800-888-8458 | Europe: +31 (0)33-45 45 600 | China: 400-120-3051 | Japan: japansupport@ergotron.com

© 2018 Ergotron, Inc. All rights reserved.

While Ergotron, Inc. makes every effort to provide accurate and complete information on the installation and use of its products, it will not be held liable for any editorial errors or omissions (including those made in the process of translation from English to another language), or for incidental, special or consequential damages of any nature resulting from furnishing this instruction and performance of equipment in connection with this instruction. Ergotron, Inc. reserves the right to make changes in the product design and/or product documentation without notification to its users. For the most current product information, or to know if this document is available in languages other than those herein, please contact Ergotron. No part of this publication may be reproduced, stored in a retrieval system, or transmitted in any form or by any means, electronic, mechanical, photocopying, recording or otherwise without the prior written consent of Ergotron, Inc., 1181 Trapp Road, Eagan, Minnesota, 55121, USA. Patents Pending and Patented U.S. & Foreign. Ergotron is a registered trademark of Ergotron, Inc.

300-5235-00 rev. D • 08/19