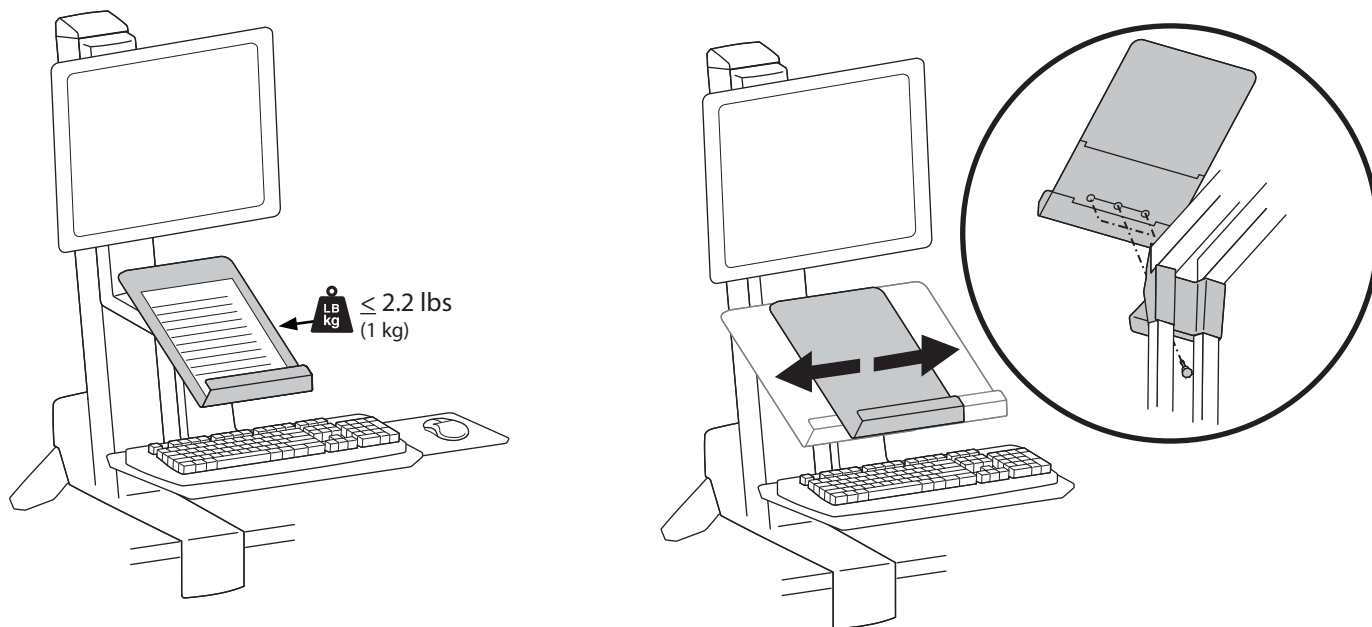
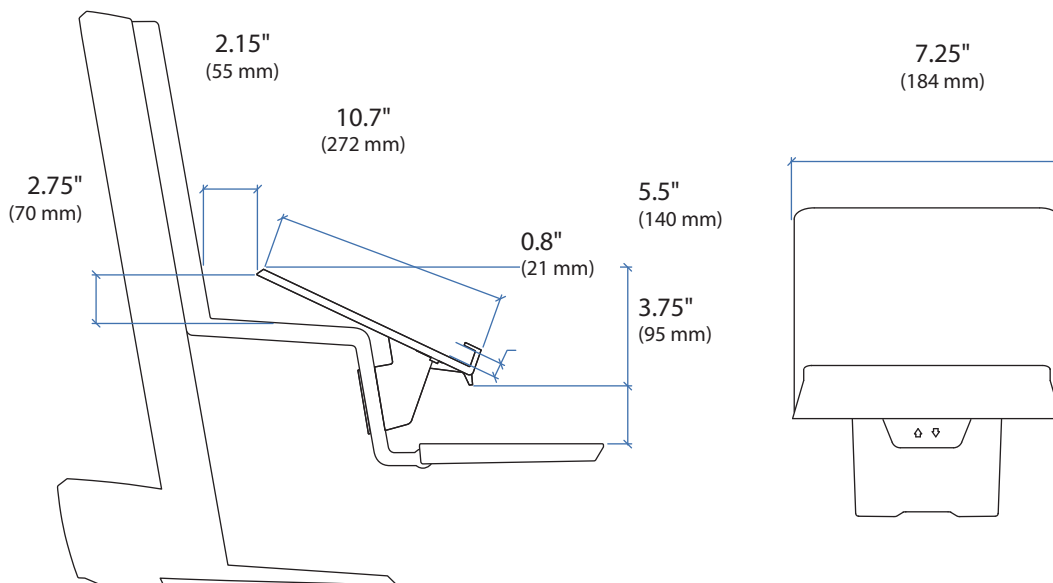


Tablet/Document Holder for WorkFit-S



When this accessory is added to the WorkFit-S, total weight capacity of the workstation is reduced by 1 lbs (.45 kg).



© 2011 Ergotron, Inc. rev. 08/26/2019 DIM-univCPU Content is subject to change without notification

Americas Sales and Corporate Headquarter	EMEA Sales	APAC Sales	Worldwide OEM Sales
St. Paul, MN USA (800) 888-8458 +1-651-681-7600 www.ergotron.com sales@ergotron.com	Amersfoort, The Netherlands +31 33 45 45 600 www.ergotron.com info.eu@ergotron.com	Tokyo, Japan www.ergotron.com apaccustomerservice@ergotron.com	www.ergotron.com info.oem@ergotron.com