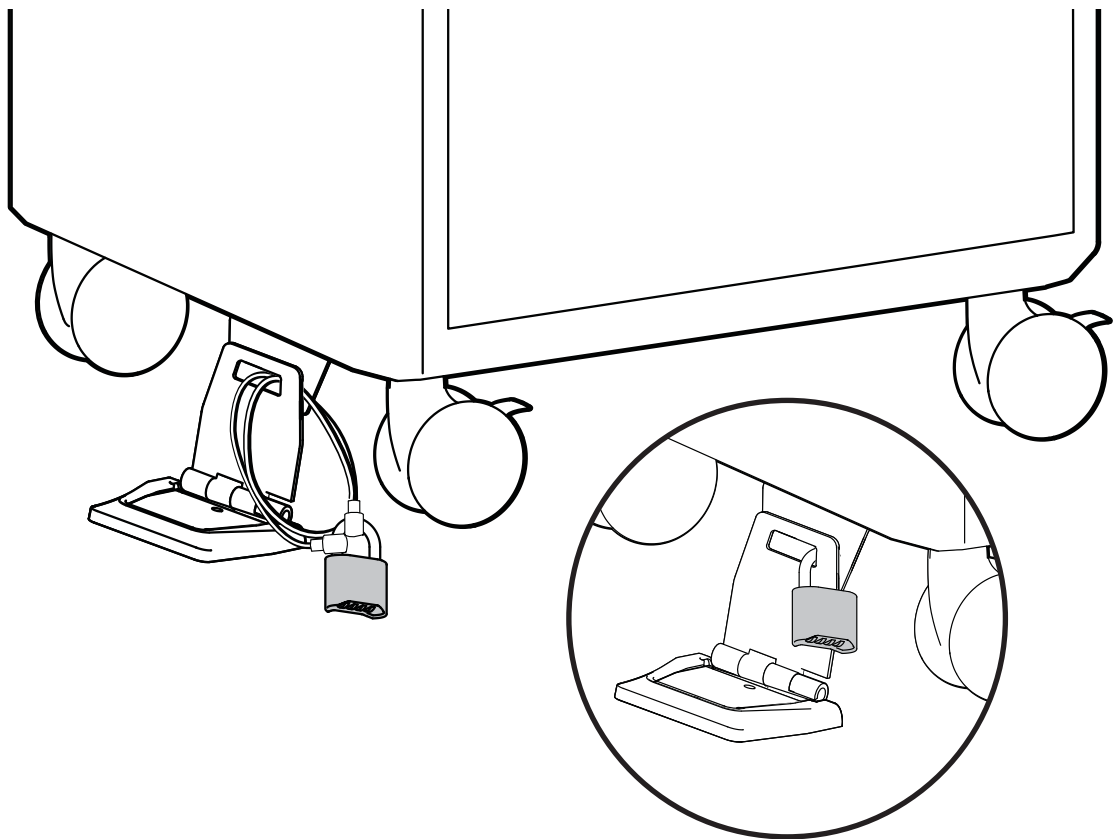


# ergotron®

## Security Bracket Kit



**English**



For the latest User Installation Guide please visit: [www.ergotron.com](http://www.ergotron.com)

English, Español, Français, Deutsch, Nederlands, Italiano, Svenska, 日本語, 汉语

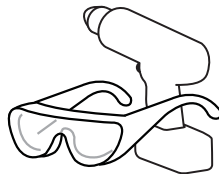
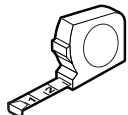
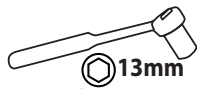
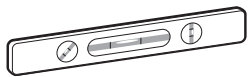
[www.ergotron.com](http://www.ergotron.com) | USA: 1-800-888-8458 | Europe: +31 (0)33-45 45 600 | China: 400-120-3051 | Japan: [japansupport@ergotron.com](mailto:japansupport@ergotron.com)

# COMPONENTS

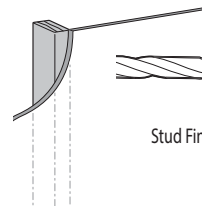


	A	B	C	D
1	<p>1x</p>	<p>1x</p>	<p>1x</p> <p>1x</p>	<p>4x</p> <p>M4 x 10 mm</p> <p>Security Screw</p>
2	<p>2x</p> <p>M8 x 80 mm</p>	<p>2x</p>	<p>2x</p>	<p>1x</p> <p>5-sided Security Wrench</p>

# TOOLS NEEDED

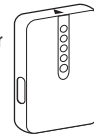


## WOOD

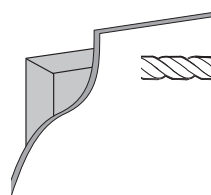


Ø 17/64" (7 mm)

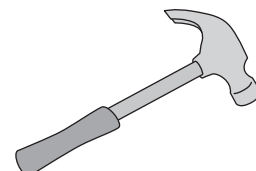
Stud Finder



## CONCRETE

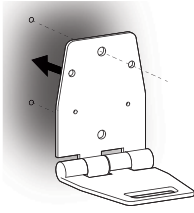


Ø 3/8" (10 mm)

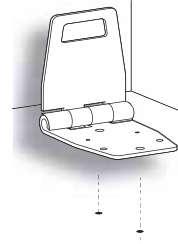


# 1 CHOOSE MOUNTING LOCATION

## WALL MOUNT



## FLOOR MOUNT



Floor Mount is not available for the YES Charging Carts.

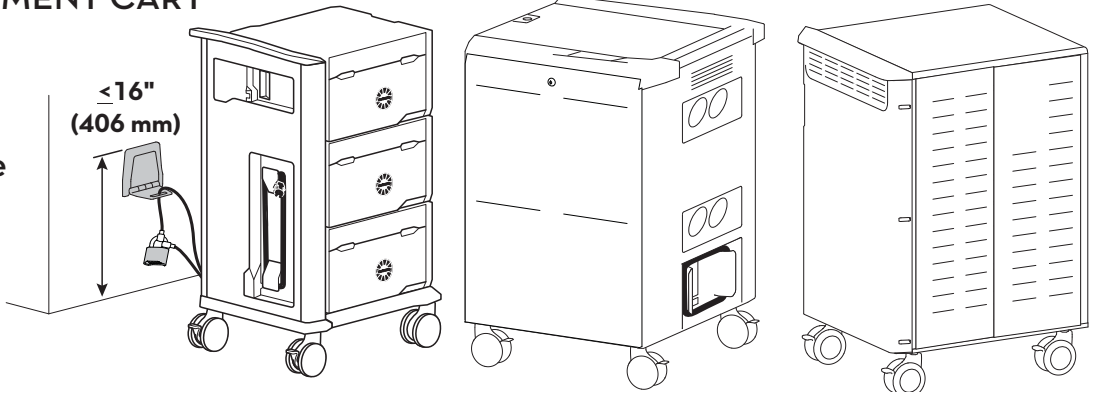


## TABLET MANAGEMENT CART PS LAPTOP CART ZIP40 CART



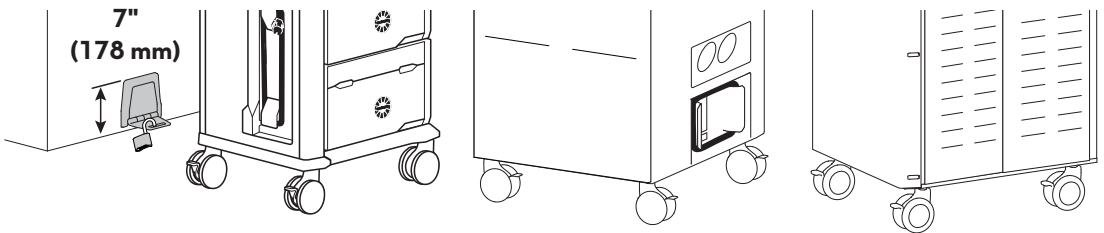
Cable and Lock

≤16"  
(406 mm)



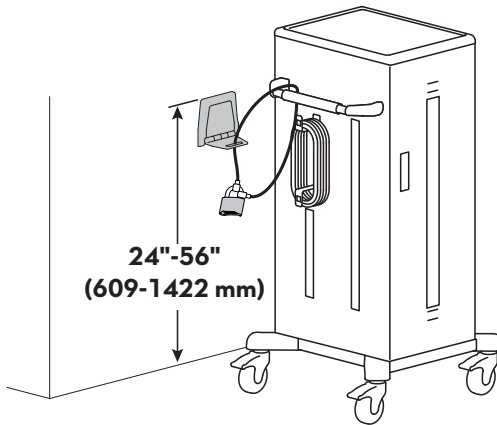
Lock Only

7"  
(178 mm)



## YES CHARGING CART

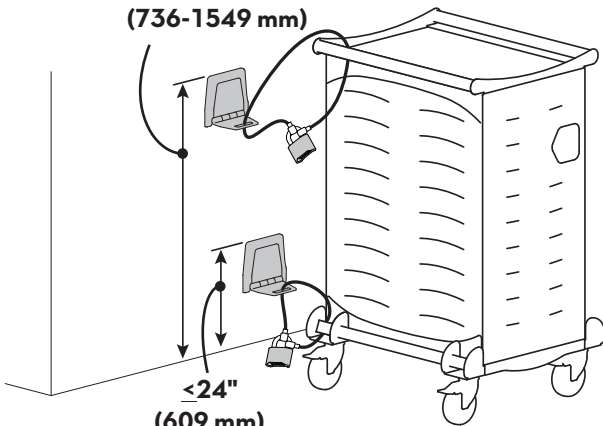
24"-56"  
(609-1422 mm)



## LT20 CHARGING CART

29"-61"  
(736-1549 mm)

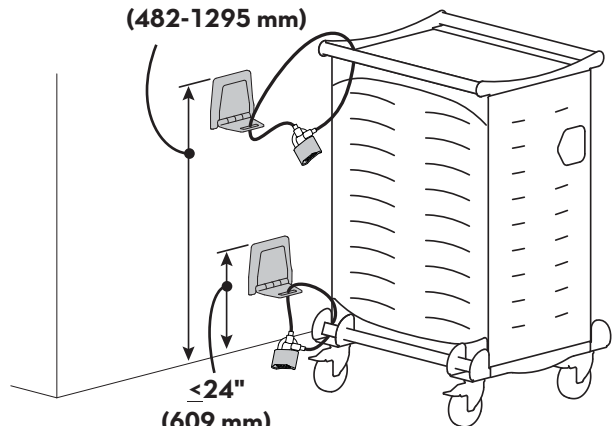
≤24"  
(609 mm)



## LT30 CHARGING CART

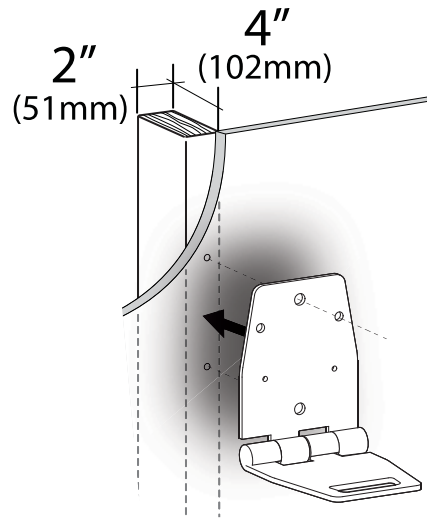
19"-51"  
(482-1295 mm)

≤24"  
(609 mm)

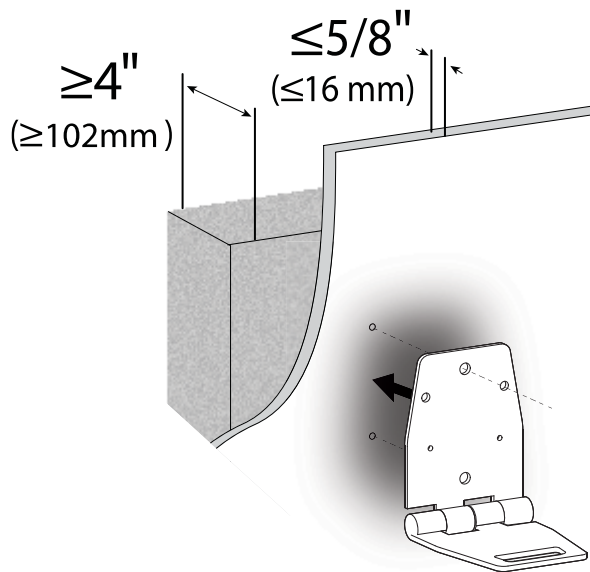


## 2 CHOOSE MOUNTING SURFACE TYPE

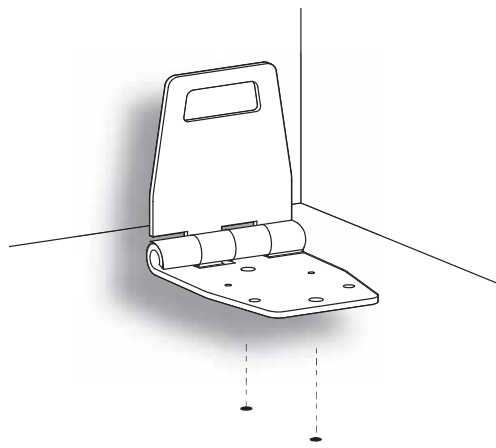
### WALL MOUNT - WOOD



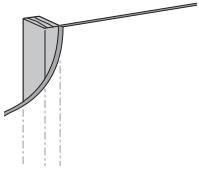
### WALL MOUNT - CONCRETE



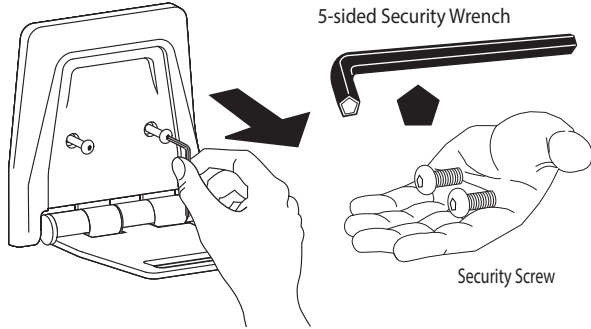
### FLOOR MOUNT - CONCRETE



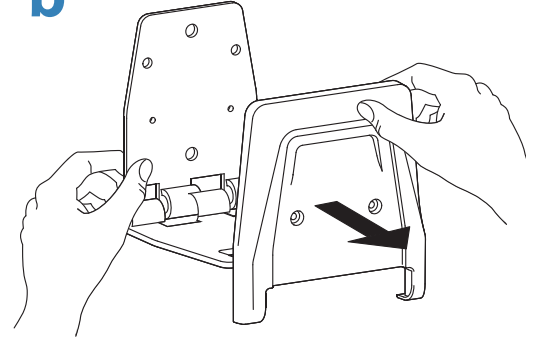
# WALL MOUNT - WOOD



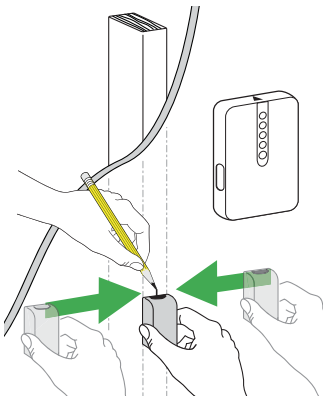
**3 a**



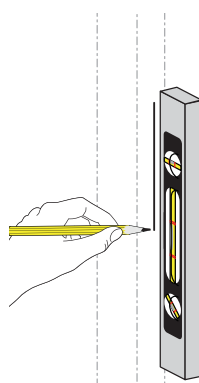
**b**



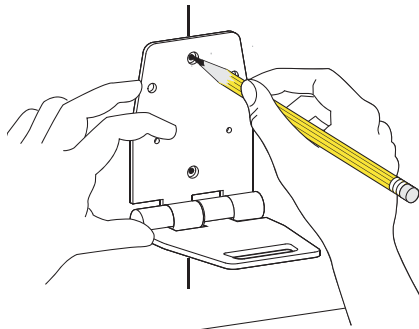
**4 a**



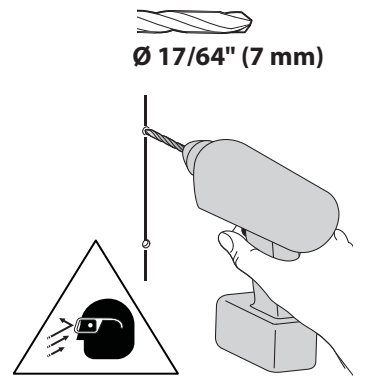
**b**



**c**

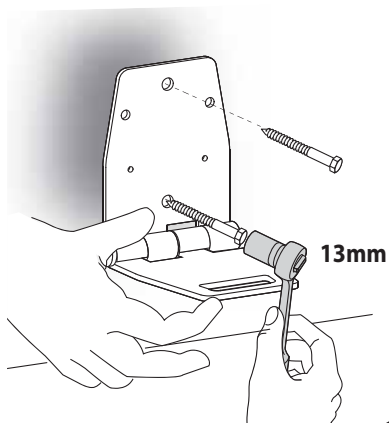


**d**

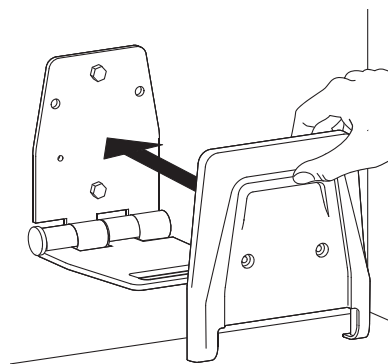


**5**

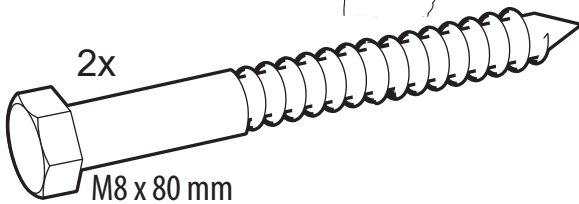
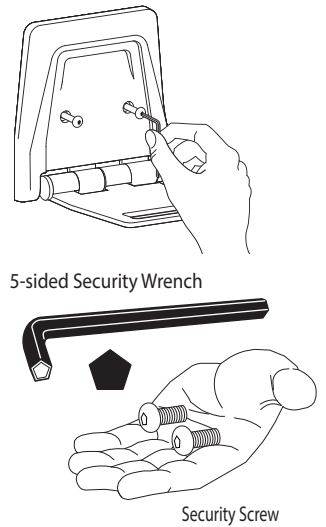
**a**



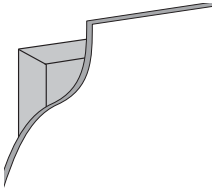
**b**



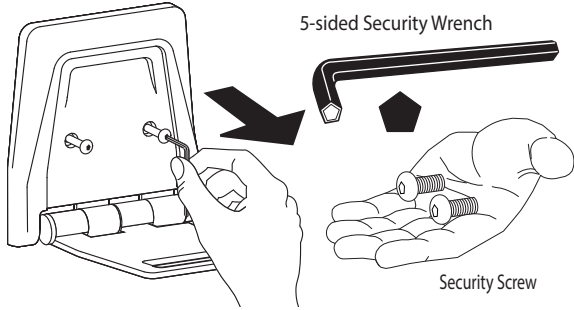
**c**



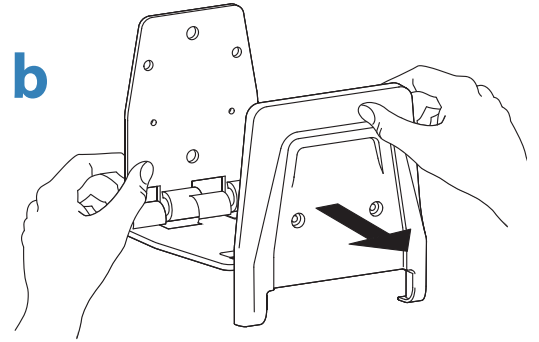
# WALL MOUNT - CONCRETE



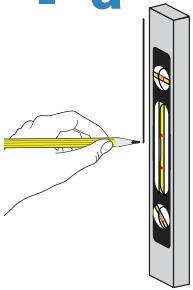
**3 a**



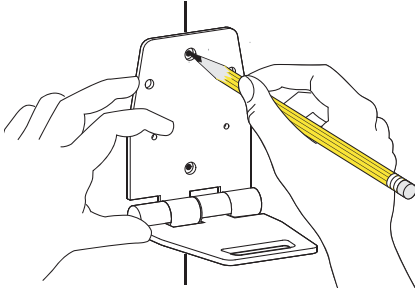
**b**



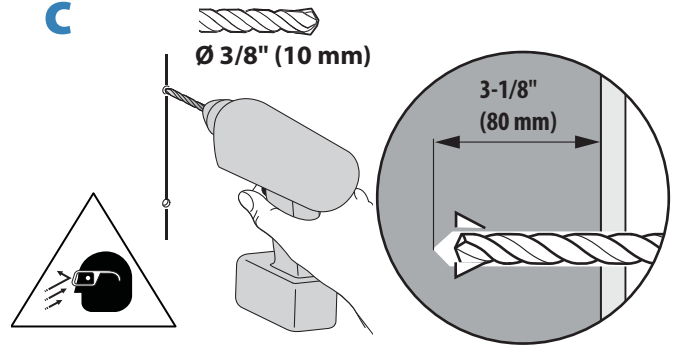
**4 a**



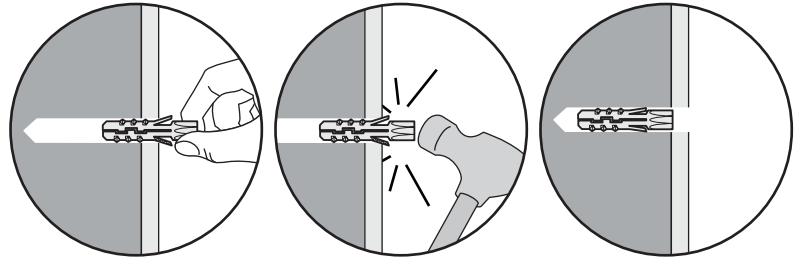
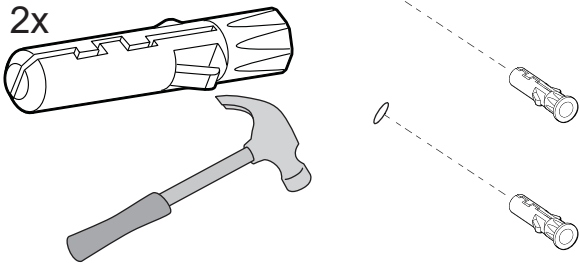
**b**



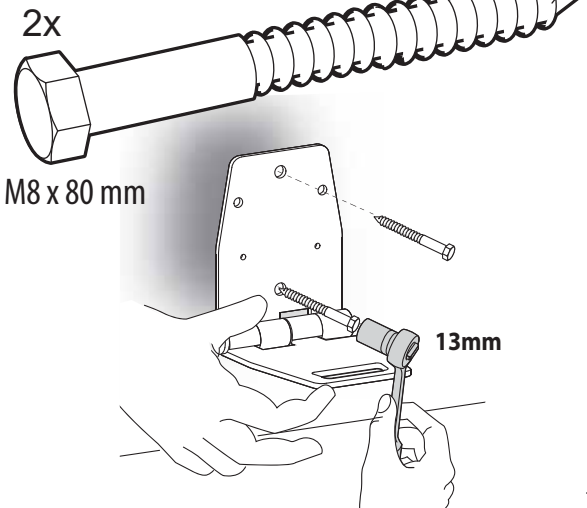
**c**



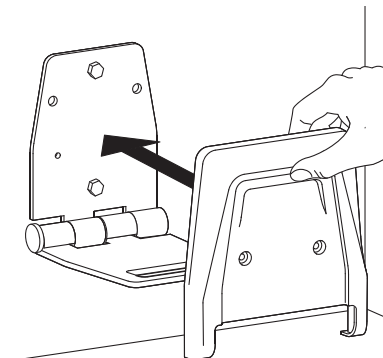
**d**



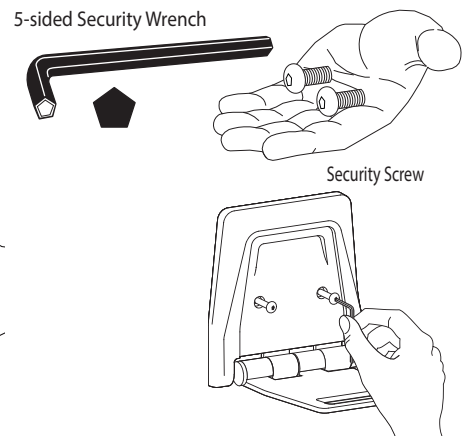
**5 a**



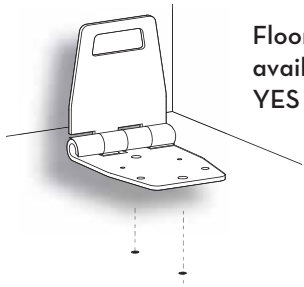
**b**



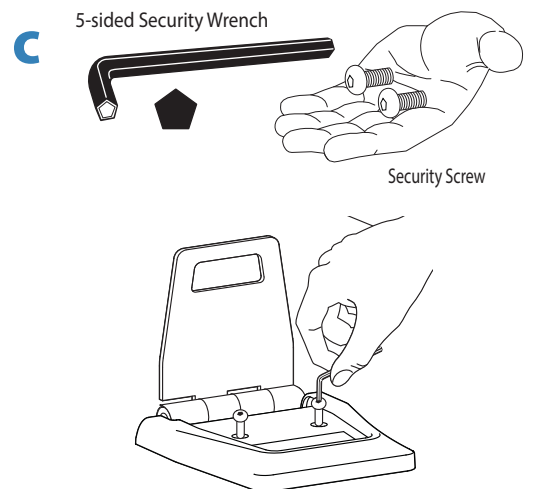
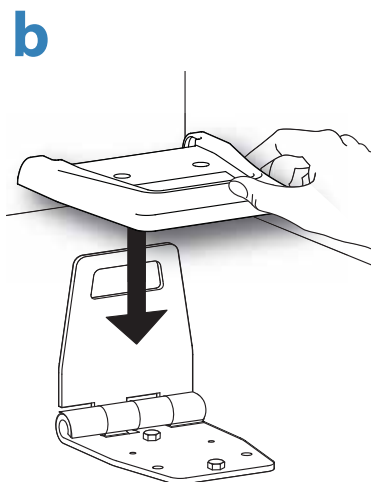
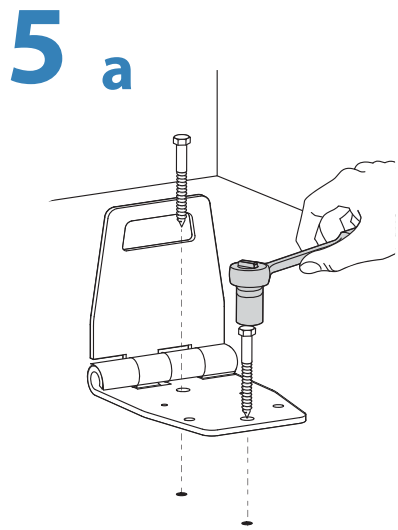
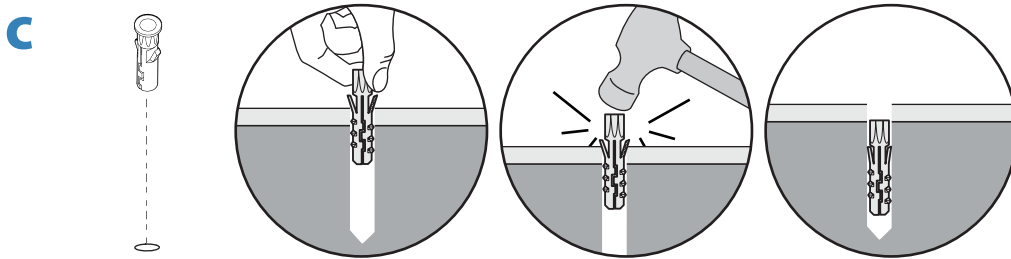
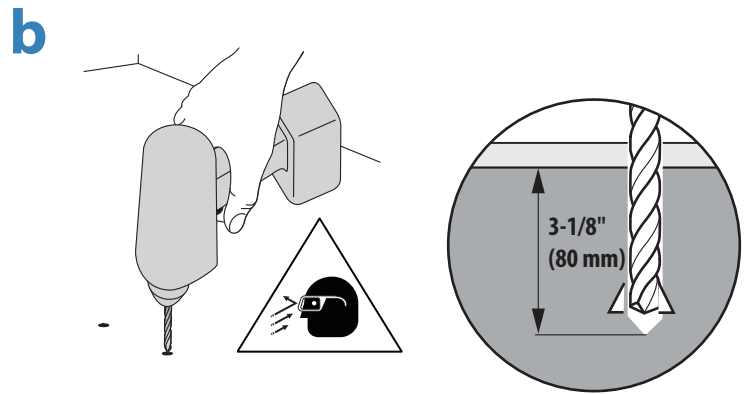
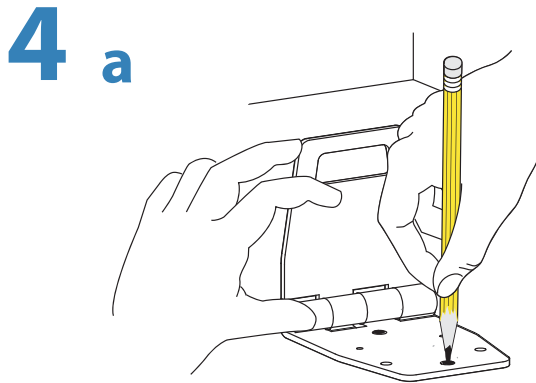
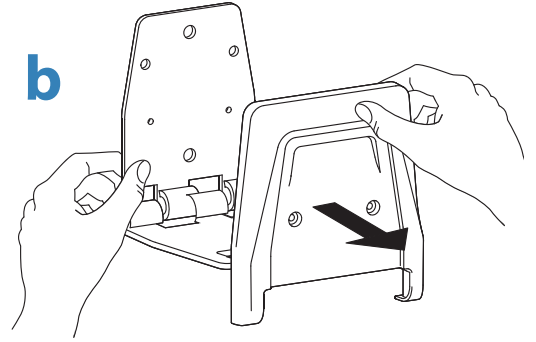
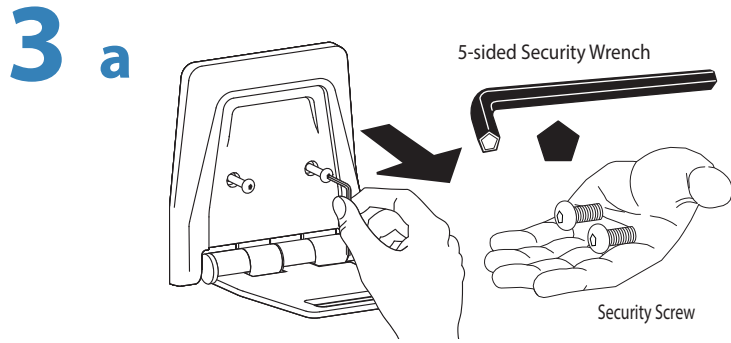
**c**



# FLOOR MOUNT - CONCRETE

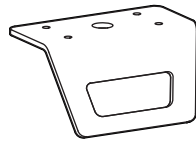


Floor Mount is not available for the YES Charging Carts.



# 6

## ATTACH BRACKET TO CART (THIS STEP IS ONLY FOR THESE CARTS).

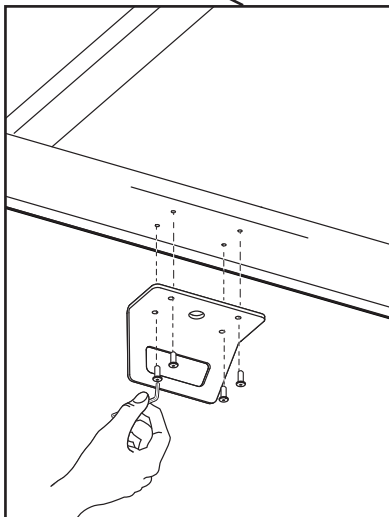
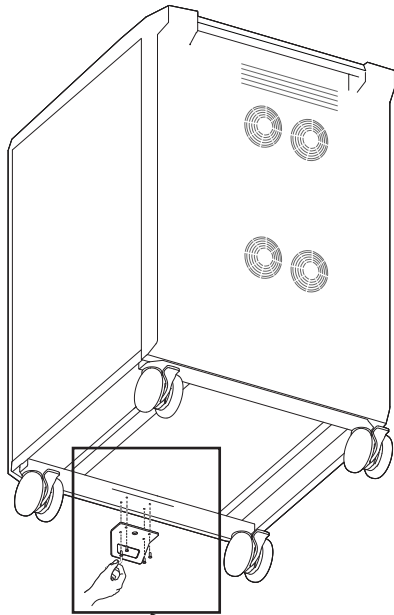
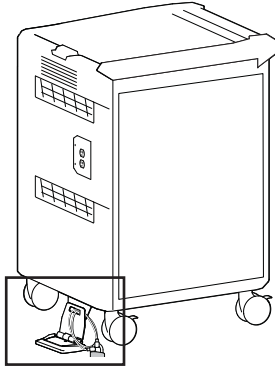


4x  
M4 x 10 mm  
Security Screw

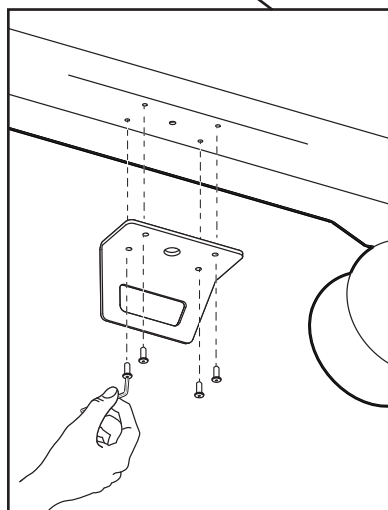
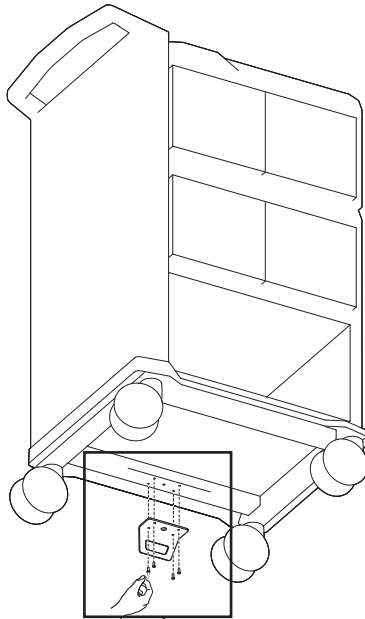
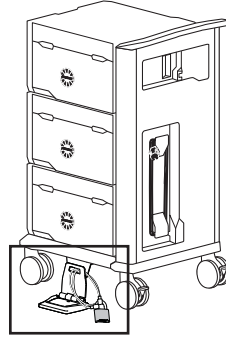


5-sided Security Wrench

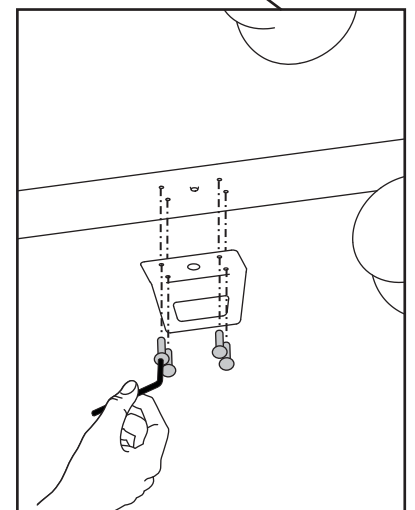
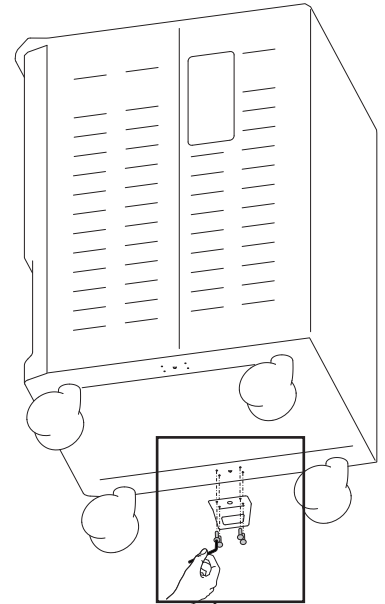
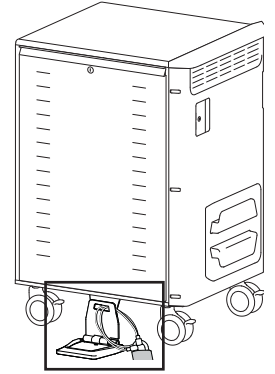
### PS LAPTOP CART



### TABLET MANAGEMENT CART

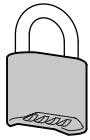


### ZIP40 CART

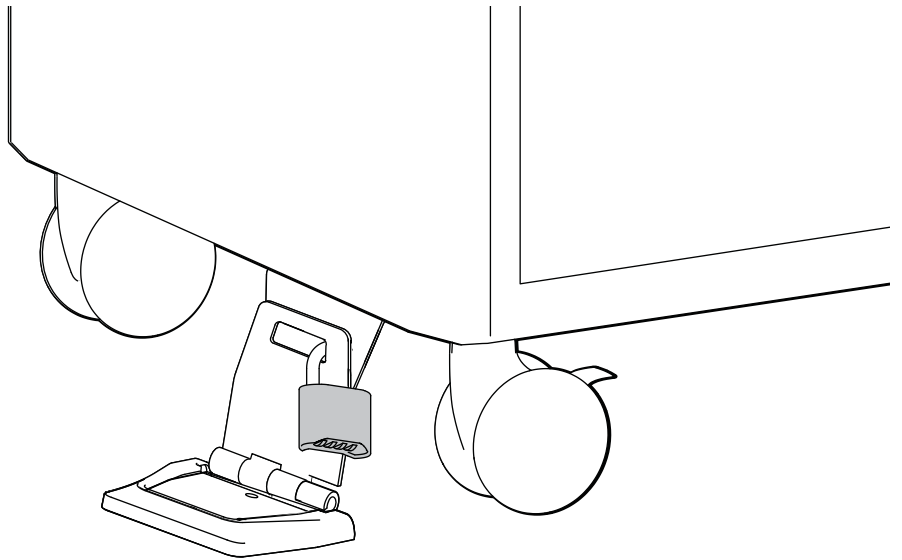




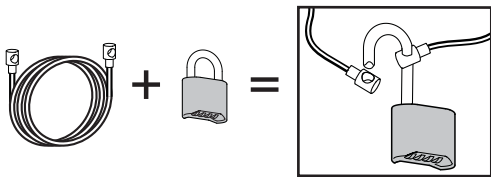
# 7 LOCK ONLY



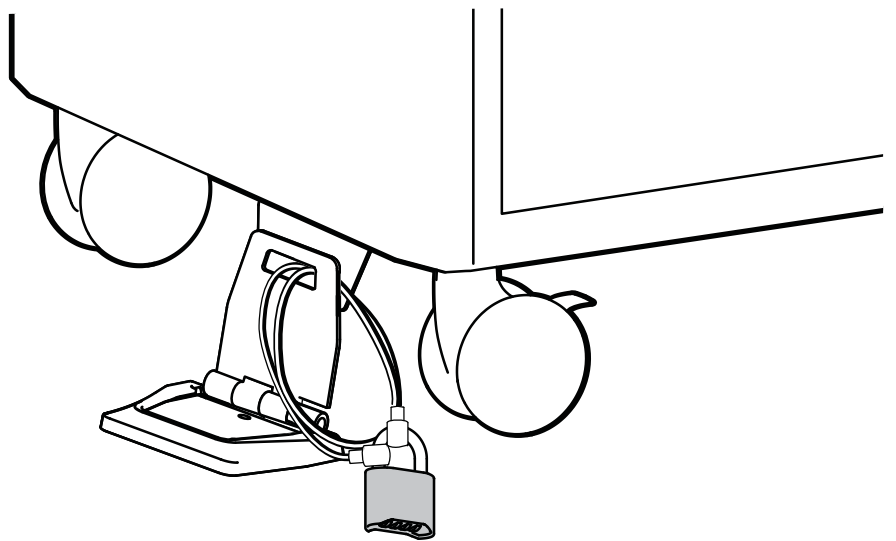
TABLET MANAGEMENT CART  
PS LAPTOP CART  
ZIP40 CART



# CABLE AND LOCK

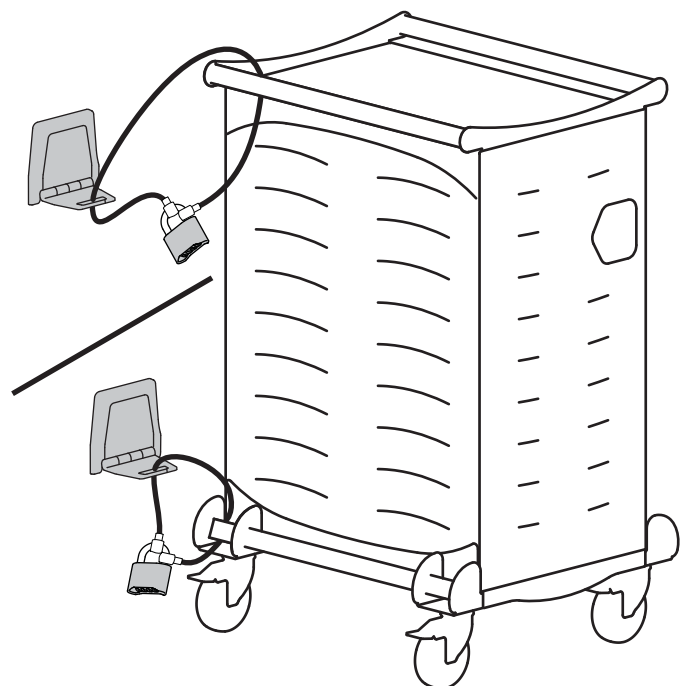
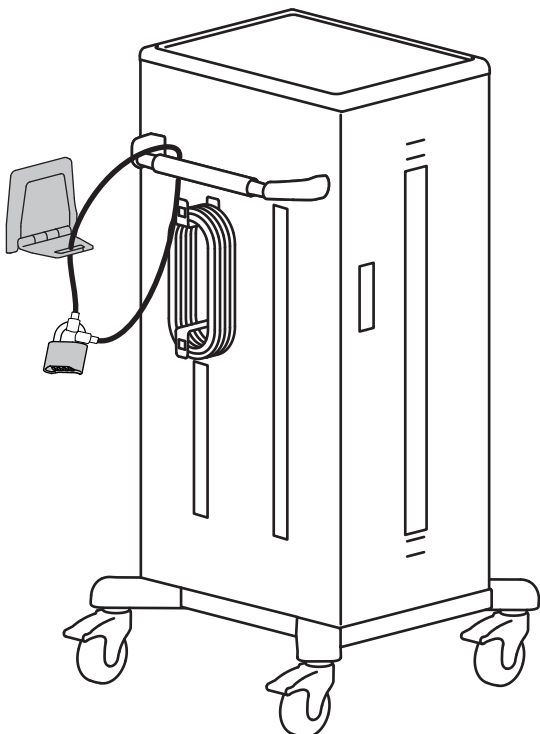


TABLET MANAGEMENT CART  
PS LAPTOP CART  
ZIP40 CART



# YES CHARGING CART

# LT20/30 CHARGING CART



# ergotron<sup>®</sup>

For Warranty visit: [www.ergotron.com/warranty](http://www.ergotron.com/warranty)

For Service visit: [www.ergotron.com](http://www.ergotron.com)

For local customer care phone numbers visit: <http://contact.ergotron.com>

[www.ergotron.com](http://www.ergotron.com) | USA: 1-800-888-8458 | Europe: +31 (0)33-45 45 600 | China: 400-120-3051 | Japan: [japansupport@ergotron.com](mailto:japansupport@ergotron.com)

© 2016 Ergotron, Inc. All rights reserved.

While Ergotron, Inc. makes every effort to provide accurate and complete information on the installation and use of its products, it will not be held liable for any editorial errors or omissions (including those made in the process of translation from English to another language), or for incidental, special or consequential damages of any nature resulting from furnishing this instruction and performance of equipment in connection with this instruction. Ergotron, Inc. reserves the right to make changes in the product design and/or product documentation without notification to its users. For the most current product information, or to know if this document is available in languages other than those herein, please contact Ergotron. No part of this publication may be reproduced, stored in a retrieval system, or transmitted in any form or by any means, electronic, mechanical, photocopying, recording or otherwise without the prior written consent of Ergotron, Inc., 1181 Trapp Road, Eagan, Minnesota, 55121, USA Patents Pending and Patented U.S. & Foreign. Ergotron is a registered trademark of Ergotron, Inc.