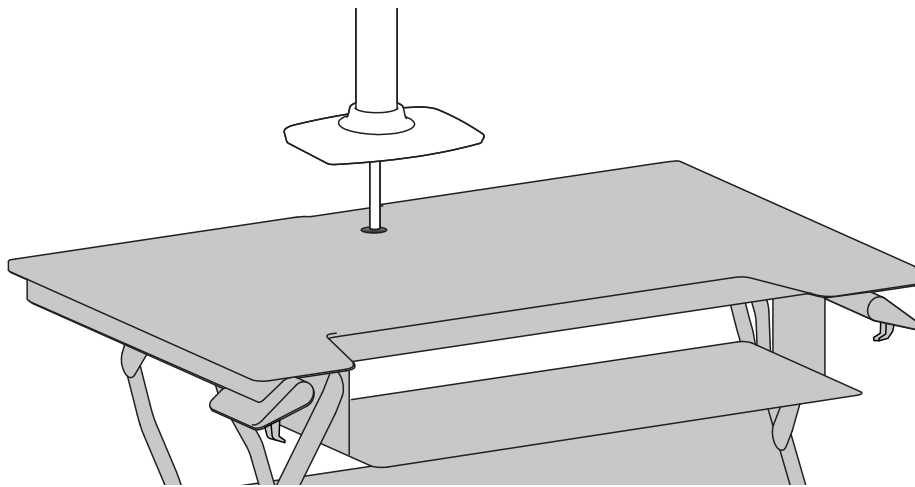


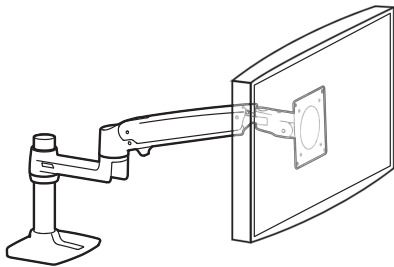
Grommet Kit

Mounts Ergotron LX Arms to the WorkFit-T & WorkFit-TL
Sit-Stand Desktop Workstations

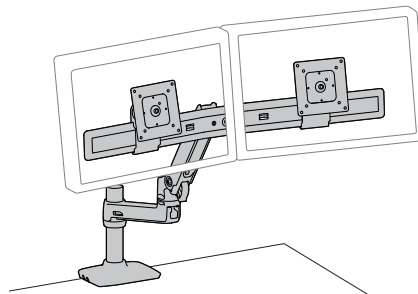


This Kit is only for the following Ergotron LX Arms:

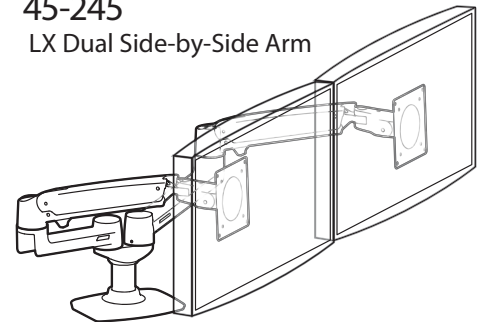
45-241
LX Desk Mount LCD Monitor Arm



45-489
LX Desk Dual Direct Arm



45-245
LX Dual Side-by-Side Arm



© 2017 Ergotron, Inc. rev. 12/17/2018 DIM-GrommetKitWFT **Content is subject to change without notification.**

**Americas Sales and
Corporate Headquarters**

St. Paul, MN USA
(800) 888-8458
+1-651-681-7600
www.ergotron.com
sales@ergotron.com

EMEA Sales

Amersfoort, The Netherlands
+31 33 45 45 600
www.ergotron.com
info.eu@ergotron.com

APAC Sales

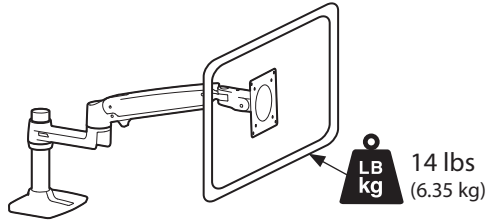
Tokyo, Japan
www.ergotron.com
japansupport@ergotron.com

Worldwide OEM Sales

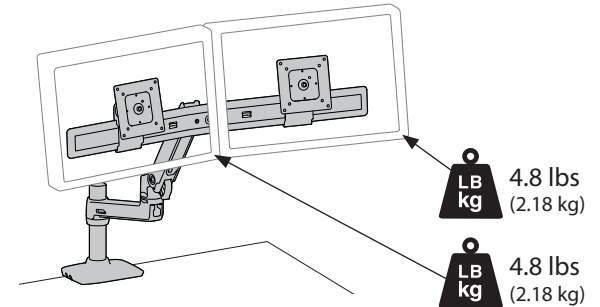
www.ergotron.com
info.oem@ergotron.com

New Maximum Arm Weight Capacity when mounted on the WorkFit-T and WorkFit-TL

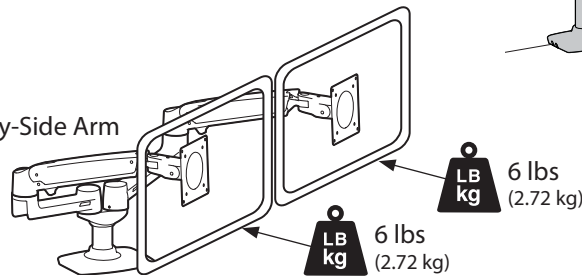
45-241
LX Desk Mount LCD Monitor Arm



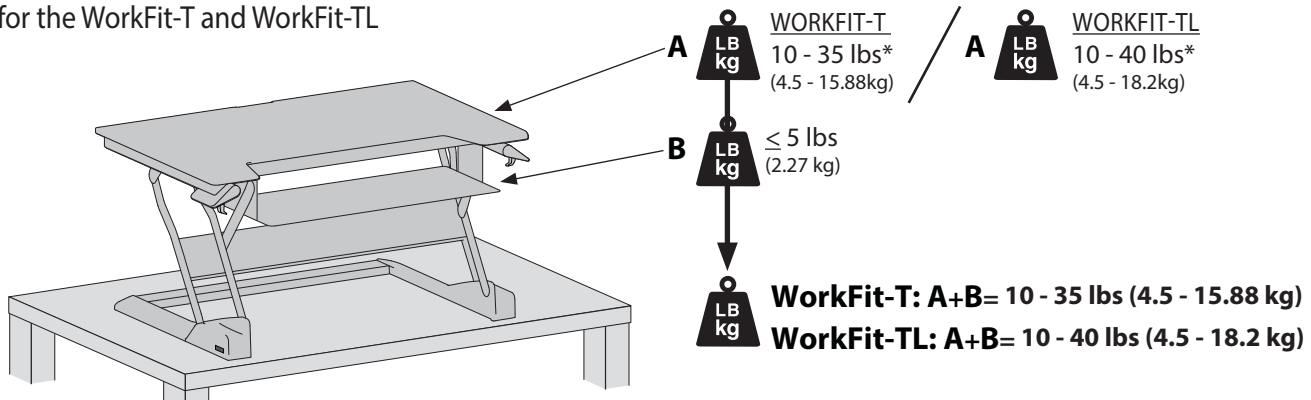
45-489
LX Desk Dual Direct Arm



45-245
LX Dual Side-by-Side Arm

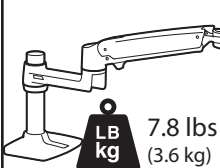


Maximum Weight Capacity for the WorkFit-T and WorkFit-TL

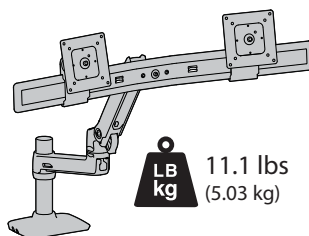


* Include the weight of the Arm(s) and monitor(s) when calculating total mounted weight.

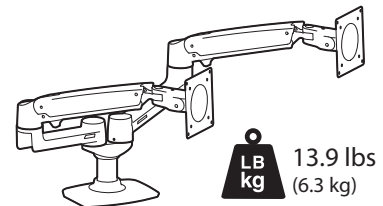
45-241
LX Desk Mount LCD
Monitor Arm



45-489
LX Desk Dual Direct Arm



45-245
LX Dual Side-by-Side Arm



© 2017 Ergotron, Inc. rev. 12/17/2018 DIM-GrommetKitWFT Content is subject to change without notification.

Americas Sales and Corporate Headquarters

St. Paul, MN USA
(800) 888-8458
+1-651-681-7600
www.ergotron.com
sales@ergotron.com

EMEA Sales

Amersfoort, The Netherlands
+31 33 45 45 600
www.ergotron.com
info.eu@ergotron.com

APAC Sales

Tokyo, Japan
www.ergotron.com
japansupport@ergotron.com

Worldwide OEM Sales

www.ergotron.com
info.oem@ergotron.com