

ergotron[®]

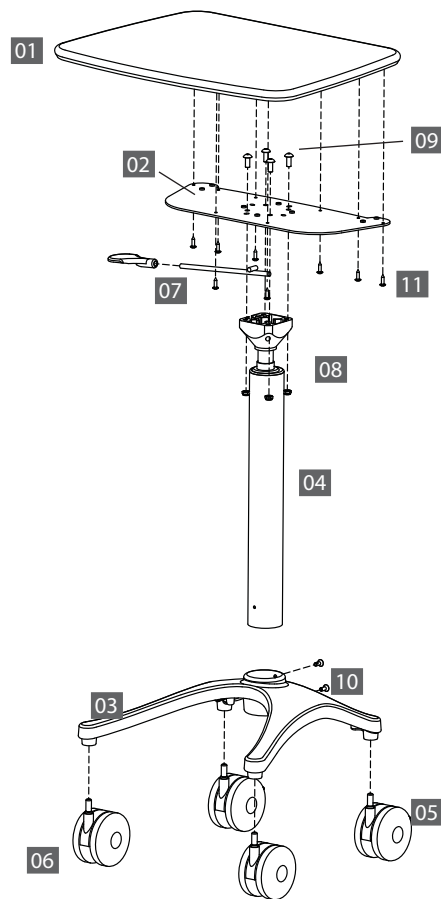
Zido[®] Adjustable-Height Cart



For the latest User Installation Guide please visit:
www.ergotron.com | USA: 1-800-888-8458

300-5418-00 rev. R • 10/19

| Zido Adjustable, NO LIP | Part# |
|-------------------------------|-------------|
| Adjustable, Heavy Load, 25" w | ZAH25CG/CG4 |
| Adjustable, Light Load, 22" w | ZAL22CG/CG4 |
| Adjustable, Light Load, 25" w | ZAL25CG/CG4 |



PARTS LIST

Before beginning assembly of your Zido Height-adjustable Cart, please review the parts list to verify that your shipment is complete.

| Product | Quantity |
|---|----------|
| 01 Cap Shelf For small cart, no lip For small cart, with lip For large cart, no lip For large cart, with lip | 1 |
| 02 Cap Shelf Bracket | 1 |
| 03 Base For Small Cart For Large Cart | 1 1 |
| 04 Column For Light Load Cart For Heavy Load Cart | 1 1 |
| 05 4" Non-locking Caster | 2 |
| 06 4" Locking Caster | 2 |
| 07 Release Lever and Paddle | 1 |
| 08 5/16-18 Nylock Nut | 4 |
| 09 5/16-18 Button Head Screw | 4 |
| 10 1/4-20 UNC Flat Head Screw | 2 |
| 11 3/4" Wood Screws | 8 |
| 12 3/16" Hex Key (not shown) | 1 |
| 13 5/32" Hex Driver (not shown) | 1 |

ASSEMBLY SEQUENCE

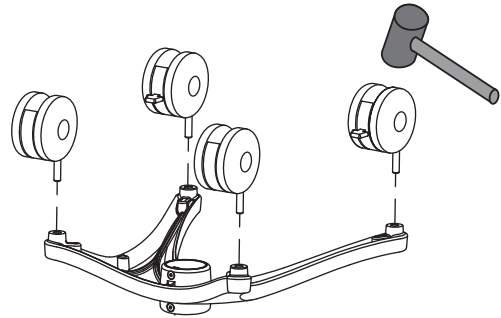
Plan out the assembly sequence to make your installation easier.

1. Pre-drill the top for accessories (Mouse Holder, Side Bin, Gel Cup/Probe Holder, Extension Tube).
2. Assemble the cart.
3. Base Storage Shelf.
4. Drawer, Keyboard Caddy, Standard Handle.
5. Additional Shelves, Equipment Shelves, Metal Bin.
6. Cable Bin, Glove Box Holder.
7. Mouse Holder, Side Bin, Gel Cup & Probe Holder, Extension Tube.
8. 8" Handle, Flat Panel Mounts.

STEP 1

Insert the Casters into the Base

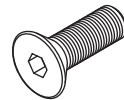
- Place the base upside down. Use a rubber mallet to tap the locking casters into the front receivers of the base. Tap the non-locking casters into the receivers of the base.



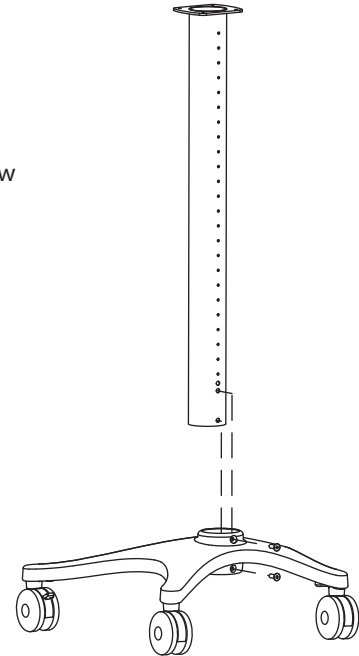
STEP 2

Connect the Base with the Tube

- Holding the column from the center (don't push from the top) slide the tube into the base so that the tube goes all the way to the bottom of the base.
- Align the upper hole on the base with a threaded hole in the column. (For the large cart, you'll use the top hole; for the small cart, you'll use the second hole.) Loosely attach the column to the base with two 1/4-20 UNC Flat Head Screws.



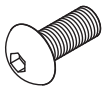
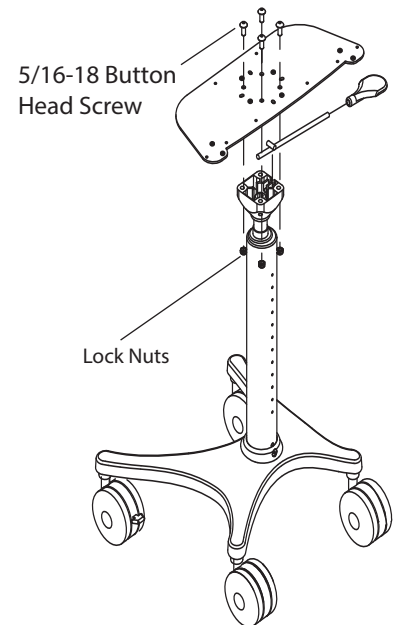
1/4-20 UNC Flat Head Screw



STEP 3

Install the Lever and the Top Plate

- Align the lever with the top of the trunk assembly as shown.
- Locate the bracket. The bottom of the bracket is flat and has no sticker. The top of the bracket has a sticker that says "TOP" and has bumps with threads inside. The bumps on the top of the bracket will nest inside the holes on the cap shelf.
- Align the cap shelf bracket with the trunk assembly so the bracket's tabs are at the back and the "TOP" label is on top.
- Using the 3/16 hex key, insert four 5/16-18 Button Head Screws through the holes on the top of the Top Plate and capture with four 5/16-18 Nylock Nuts inserted in to the holes in the top of the columns.
- Pull up on the lever to move the column up and down. Repeat a few times to make sure the column moves smoothly. If the lever was installed upside down, the column won't move. If that happens, remove the top plate, invert the lever, and try it again.



5/16-18 Button Head Screw



5/16-18 Nylock Nut

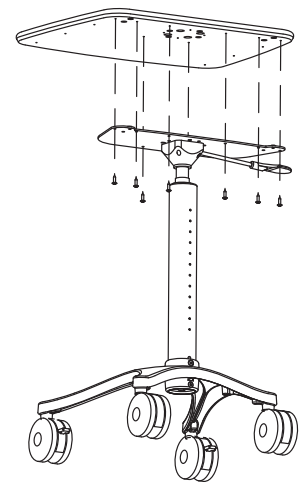
STEP 4

Install the Cap Shelf

- Align the indentations on the bottom of the cap shelf with the screw heads and bumps on the top of the top plate.
- Secure the cap shelf to the cart with eight 3/4" wood screws.
- Tighten the 1/4-20 UNC Flat Head Screws that connect the column to the base.
- Pull the paddle up and move the column up and down a few times to loosen the mechanism. Be sure to operate the column from the back of the cart so you have plenty of leverage.



3/4" Wood Screws



ergotron®

For the latest User Installation Guide please visit: www.ergotron.com

For Warranty visit: www.ergotron.com/warranty

For Service visit: www.ergotron.com

For local customer care phone numbers visit: <http://contact.ergotron.com>

www.ergotron.com | USA: 1-800-888-8458

© 2016 Ergotron, Inc. All rights reserved.

While Ergotron, Inc. makes every effort to provide accurate and complete information on the installation and use of its products, it will not be held liable for any editorial errors or omissions (including those made in the process of translation from English to another language), or for incidental, special or consequential damages of any nature resulting from furnishing this instruction and performance of equipment in connection with this instruction. Ergotron, Inc. reserves the right to make changes in the product design and/or product documentation without notification to its users. For the most current product information, or to know if this document is available in languages other than those herein, please contact Ergotron. No part of this publication may be reproduced, stored in a retrieval system, or transmitted in any form or by any means, electronic, mechanical, photocopying, recording or otherwise without the prior written consent of Ergotron, Inc., 1181 Trapp Road, Eagan, Minnesota, 55121, USA Patents Pending and Patented U.S. & Foreign. Ergotron is a registered trademark of Ergotron, Inc.