

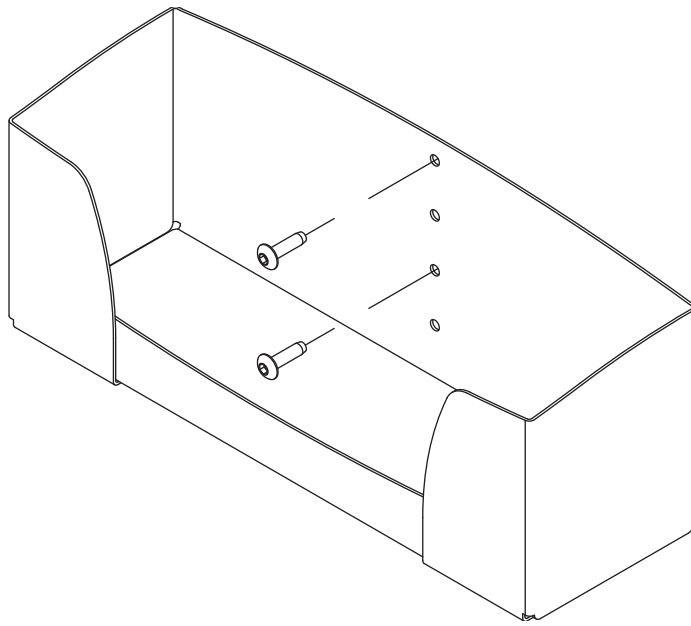
ergotron[®]

Zido[™] Glove Box Holder



Product	Part#
Zido Glove Box Holder	ZGBCG

NOTE: The Zido cart (shown shaded) is not included.



WELCOME

Thank you for purchasing your Zido Glove Box Holder!

If you have any questions or if we can help you in any way, please contact us at 800.325.3841.

PARTS LIST

Before beginning assembly of your Zido Glove Box Holder, please review the parts list to verify that your shipment is complete.

A 5/32" hex head driver (provided with your Zido cart) is required for this assembly.

01 – GLOVE BOX.....	QTY 1
02 – SELF TAPPING SCREW.....	QTY 2

STEP 1

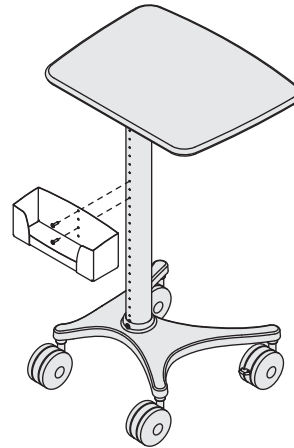
Select an Installation Point

- Select an installation point for your Glove Box. If you will install over a Shelf Bracket, go to Step 3. If you will install onto the Zido tube, go to Step 2.

STEP 2

Install the Holder onto the Zido tube

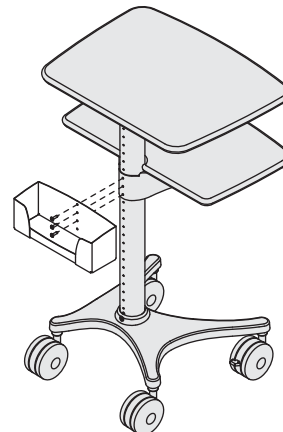
- Align the holes on the Glove Box Holder with the holes on the Zido tube.
- Secure using two self-threading fasteners.
Note: These fasteners are cutting the threads in the tube, so the first few turns will require some force.



STEP 3

Install the Holder over a Shelf/Bin Bracket

- While one person holds the Shelf or Bin in place, another person carefully removes the fasteners from the Shelf Bracket and sets them aside.
- Align the holder over the bracket.
- Secure using the three self-threading fasteners.



CONGRATULATIONS! YOUR GLOVE BOX HOLDER ASSEMBLY IS COMPLETE!

ergotron®

For the latest User Installation Guide please visit: www.ergotron.com

For Warranty visit: www.ergotron.com/warranty

For Service visit: www.ergotron.com

For local customer care phone numbers visit: <http://contact.ergotron.com>

www.ergotron.com | USA: 1-800-888-8458 | Europe: +31 (0)33-45 45 600 | China: 400-120-3051 | Japan: japansupport@ergotron.com

© 2015 Ergotron, Inc. All rights reserved.

While Ergotron, Inc. makes every effort to provide accurate and complete information on the installation and use of its products, it will not be held liable for any editorial errors or omissions (including those made in the process of translation from English to another language), or for incidental, special or consequential damages of any nature resulting from furnishing this instruction and performance of equipment in connection with this instruction. Ergotron, Inc. reserves the right to make changes in the product design and/or product documentation without notification to its users. For the most current product information, or to know if this document is available in languages other than those herein, please contact Ergotron. No part of this publication may be reproduced, stored in a retrieval system, or transmitted in any form or by any means, electronic, mechanical, photocopying, recording or otherwise without the prior written consent of Ergotron, Inc., 1181 Trapp Road, Eagan, Minnesota, 55121, USA Patents Pending and Patented U.S. & Foreign. Ergotron is a registered trademark of Ergotron, Inc.