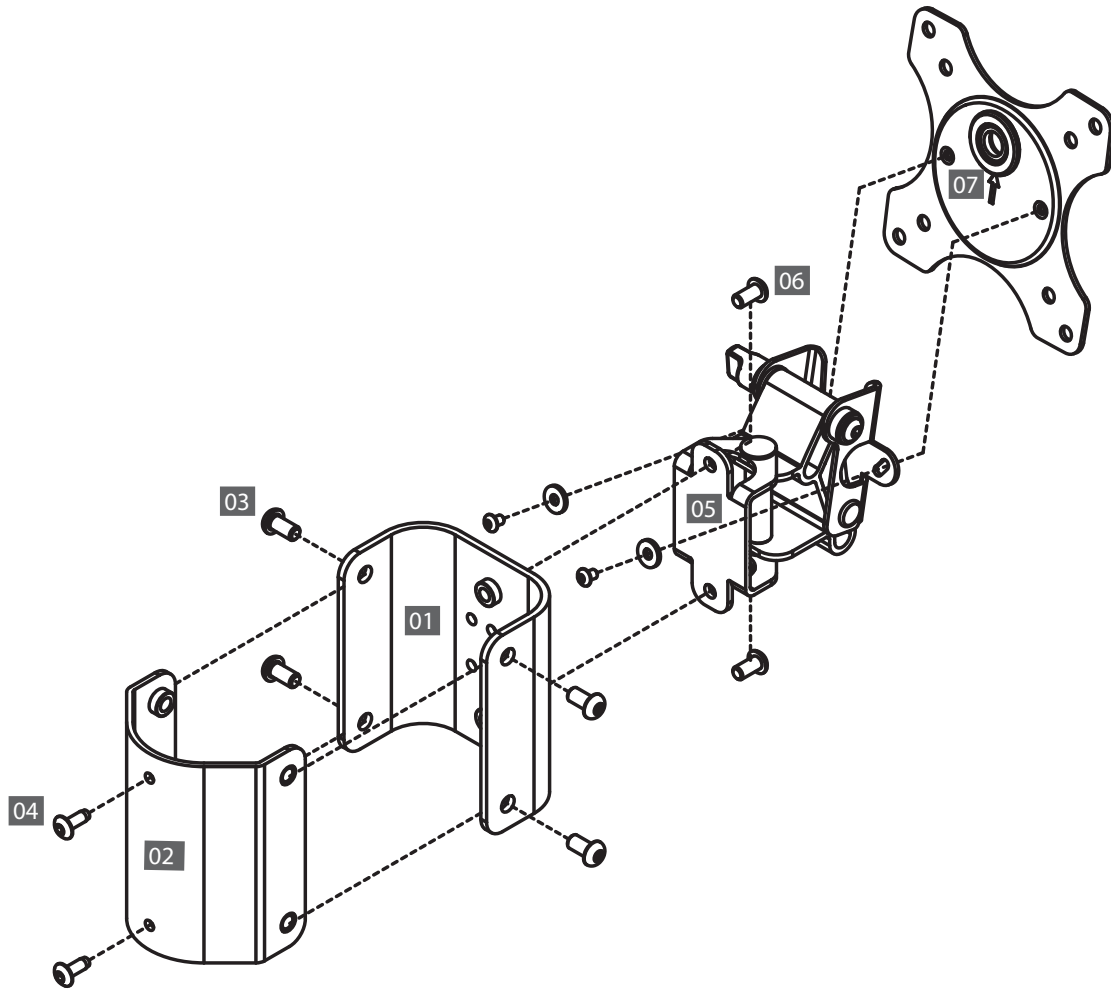


ergotron®

Zido® Monitor Mount



Product	Part#
Zido Single Monitor Mount	ZOMSzz



TOOLS

A 4mm hex driver (provided with your Zido Cart) is required for this assembly.

PARTS LIST

Before beginning assembly of your Zido Single Monitor Mount, please review the parts list to verify that your shipment is complete.

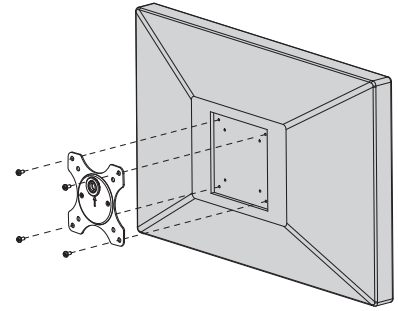
Zido Pole Flat Panel Mount, Single	Quantity
01 Outer Bracket	1
02 Inner Bracket	1
03 1/4-20 x 1/2" Button Head Screw	4
04 #10-24 x 1/2" Self-threading Screw	2
05 Small Tilt/Pan Mount	1
06 M6 x 12mm Button-head Screw	2
07 VESA Plate	1
08 Flat Panel Hardware Kit (not shown)	1
M4 x 12mm Philips Head Screw	4
M5 x 12mm Philips Head Screw (not needed in assembly)	4
M6 x 12mm Philips Head Screw (not needed in assembly)	4
09 Hardware Kit (not shown)	1
Security Allen Screw	2
Washer	2
Security Allen Wrench	1

Fastener quantities listed are the minimum needed for your assembly. Your shipment may contain a few extras.

STEP 1

Attach the VESA plate to your monitor

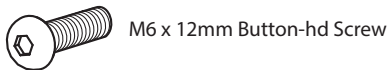
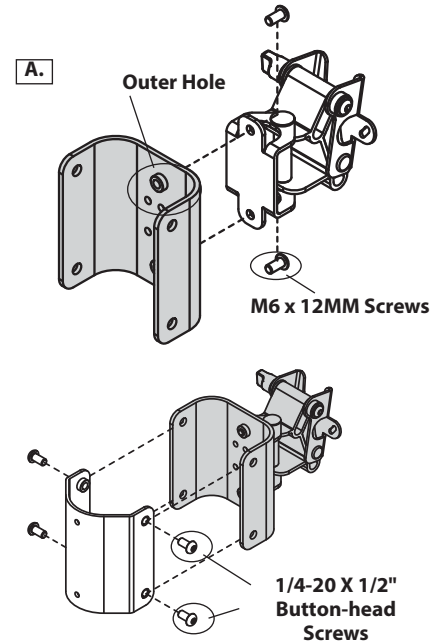
- Place the VESA bracket in position on the back of the monitor. Attach using four M4 x 12MM Screws (part #M-A) provided in the plastic bag. The VESA bracket accommodates 75mm and 100mm hole patterns. For this installation, you may also use the screws that came with your monitor.



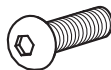
STEP 2

Assemble the Brackets

- Align the Tilt/Pan Mount with the 2 outer holes that are directly above and below the 6 small holes in the center of the outer bracket. Secure using 2 - M6 x 12mm Button-head Screws using the 4mm hex key. (A)
- Slide the inner bracket into the outer bracket so that the holes on each side align. Using the 4mm hex key, secure with 4 - 1/4-20 x 1/2" Button-head Screws. (B)



M6 x 12mm Button-hd Screw



1/4-20 x 1/2" Button-hd Screw

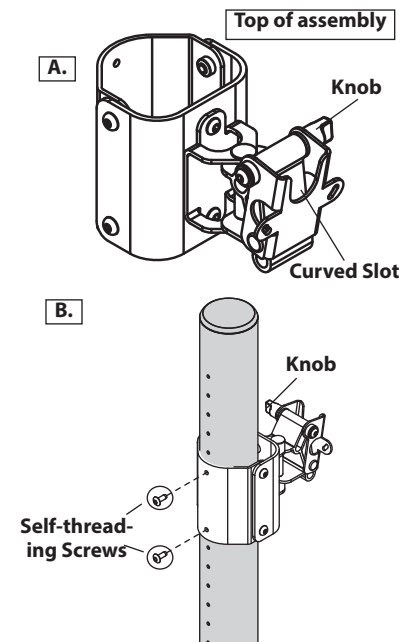
STEP 3

Install the Brackets and the Monitor

- Slip the bracket assembly over the top of the Zido tube, with the assembly facing the front of the cart. Be sure the assembly is installed right side up, with the curved slot being at the top of the assembly (A). Secure with 2 self-threading screws. (B).

Note: These fasteners are creating the threads in the tube, so the first few turns will require some force.

- Lift the monitor into place in front of the Tilt/Pan Mount. Slide the VESA bracket into the curved slot in the Tilt/Pan Mount.
- Secure the monitor to the Tilt/Pan Mount using 2 Security Allen Screws using the Security Allen Wrench, making sure to place a washer between the screw and the VESA plate.
- To adjust the position of the monitor, loosen the knob on the side of the Tilt/Pan Mount to adjust and tighten again when the monitor is in the desired position.



Self-threading Screw

**CONGRATULATIONS!
YOUR ZIDO SINGLE MONITOR MOUNT ASSEMBLY IS COMPLETE!**



For the latest User Installation Guide please visit: www.ergotron.com

For Warranty visit: www.ergotron.com/warranty

For Service visit: www.ergotron.com

For local customer care phone numbers visit: <http://contact.ergotron.com>

www.ergotron.com | USA: 1-800-888-8458 | Europe: +31 (0)33-45 45 600 | China: 400-120-3051 | Japan: japansupport@ergotron.com

© 2016 Ergotron, Inc. All rights reserved.

While Ergotron, Inc. makes every effort to provide accurate and complete information on the installation and use of its products, it will not be held liable for any editorial errors or omissions (including those made in the process of translation from English to another language), or for incidental, special or consequential damages of any nature resulting from furnishing this instruction and performance of equipment in connection with this instruction. Ergotron, Inc. reserves the right to make changes in the product design and/or product documentation without notification to its users. For the most current product information, or to know if this document is available in languages other than those herein, please contact Ergotron. No part of this publication may be reproduced, stored in a retrieval system, or transmitted in any form or by any means, electronic, mechanical, photocopying, recording or otherwise without the prior written consent of Ergotron, Inc., 1181 Trapp Road, Eagan, Minnesota, 55121, USA Patents Pending and Patented U.S. & Foreign. Ergotron is a registered trademark of Ergotron, Inc.